

ZEPHYR

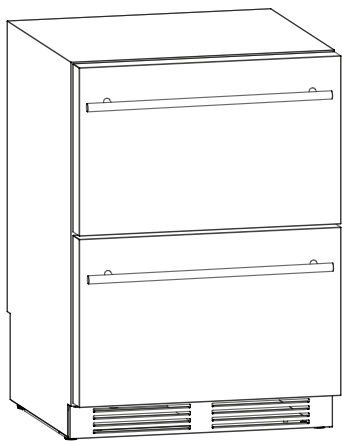
WWW.ZEPHYRONLINE.COM

PRRD24C1AS PRRD24C2AS PRRD24C2AP PRRD24C2AS-OD

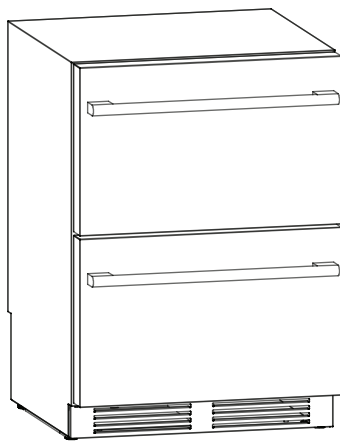
Presrv™ Refrigerator Drawers

EN Use, Care, and Installation Guide

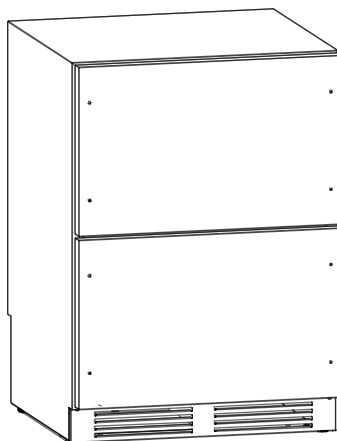
FR Guide d'utilisation, d'entretien et d'installation



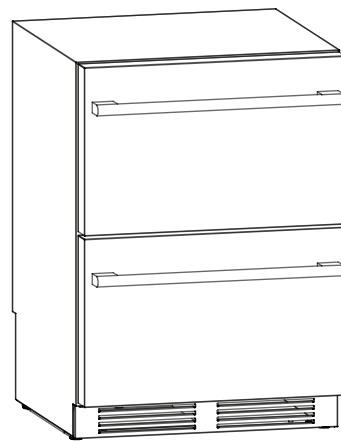
PRRD24C1AS
(single zone)



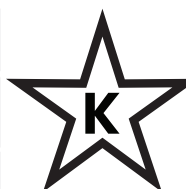
PRRD24C2AS
(dual zone)



PRRD24C2AP
(dual zone panel ready)



PRRD24C2AS-OD
(dual zone outdoor)



	Page
Safety Information	4-11
Types of Safety Warnings.....	4
General Safety	5-7
Save These Instructions	8
Disposal of Old Appliance.....	8
Before Using Your Appliance	9
Installation of Your Appliance	9-10
Attention.....	10
Electrical Connection	11
Introduction	12
List of Materials.....	13
Product Specifications	14-16
Product Summary	14
Parts Identification	14
Internal Storage Ideas	15
Dimensions	15-16
Installation Instructions.....	17-21
Installation Clearance Requirements	17
Installing the Drawer Handles	18
Installing the Drawer Handles and Overlay Panel	18-19
Installing the Anti-tip Bracket.....	20
Installing the Silicone Mats and Drawer Tray	21
Installing the Upper and Lower Drawer Dividers	21
Operating Your Appliance	22-24
Using the Control Panel.....	22-23
Demonstration Mode	23
Sabbath Mode.....	24
Drawer Open Alarm.....	24
Temperature Alarm	24
Defrosting.....	24
Care and Maintenance.....	25-26
Normal Sounds	25
Cleaning the Unit	25
Power Failure.....	26
Moving Your Refrigerator Drawers.....	26
Energy Saving Tips	26
Troubleshooting.....	27-28
Limited Warranty	29
Product Registration.....	30

Your safety and the safety of others are very important.



We have provided many important safety messages in this manual for your appliance. Always read and obey all safety messages.



This is the Safety Alert Symbol. This symbol alerts you to potential hazards that can cause severe bodily injury or death. All safety messages will follow the Safety Alert Symbol and either the words “DANGER” “WARNING” or “CAUTION”

 **DANGER** 

Danger means that failure to heed this safety statement may result in severe injury or death.

 **WARNING** 



Warning means that failure to heed this safety statement may result in extensive product damage, serious personal injury, or death.

 **CAUTION** 

Caution means that failure to heed this safety statement may result in minor or moderate personal injury, property or equipment damage.

For your safety, read all instructions carefully before operating the appliance.

General Safety

 **DANGER** 

When using an electrical appliance, basic precautions should always be followed to reduce the risk of fire, electric shock, and injury to persons.

 **WARNING** 

To reduce the risk of fire, electric shock or personal injury, unplug or disconnect the appliance from the power supply before servicing.

 **CAUTION** 

Flammable refrigerant used! When handling, moving and use of the refrigerator, make sure to avoid either damaging the refrigerant tubing, or increasing the risk of a leak.

- ▶ Use this appliance only as described in this manual. Other uses not recommended may cause fire, electric shock or personal injury.
- ▶ This appliance is not intended for use by young children or infirm persons unless they have been adequately supervised by a responsible person to ensure that they can use the appliance safely.
- ▶ Young children should be supervised to ensure that they never play with the appliance.
- ▶ To protect against the risk of electric shock, NEVER IMMERSE the unit, cord, or plug in water or spray any other liquid.
- ▶ Unplug the appliance from the plug socket when not in use, when moving from one location to another and before cleaning.

Safety Information

For your safety, read all instructions carefully before operating the appliance.

- ▶ To disconnect the appliance, grip the plug and pull it from the wall outlet. Never pull by the cord.
- ▶ Never operate the appliance in the presence of explosive and/or flammable fumes.
- ▶ Never place the appliance or any of its parts near an open flame, cooking or other heating appliance.
- ▶ Never operate the appliance with a damaged cord or plug, if the product malfunctions, or if it is dropped or damaged in any manner.
- ▶ The use of attachments not recommended by the manufacturer may be hazardous.
- ▶ Never operate if the housing is removed or damaged.
- ▶ A loose fit between the AC outlet (receptacle) and plug may cause overheating and a distortion of the plug. Contact a qualified electrician to replace loose or worn outlet.



- ▶ Locate the unit away from direct sunlight and sources of heat (stove, heater, radiator, etc.).
- ▶ This appliance is CFC and HFC free and contains small quantities of Isobutane (R600a), an environmentally friendly coolant.
- ▶ You must ensure that the cooling circuit is undamaged when installing the appliance. However, if it becomes damaged, avoid proximity to open fires and heat sources of all kinds. The room in which the appliance is located should be ventilated properly and according to state and local codes.
- ▶ Never use an appliance with a damaged circuit.
- ▶ Ensure that the ventilation openings to and from a built-in appliance are never blocked or covered.
- ▶ No liability will be accepted for any damage caused by misuse of the appliance, or as a result of repairs carried out by unqualified person. In this case neither the warranty nor any other liability claims will apply.

For your safety, read all instructions carefully before operating the appliance.



- ▶ Never attempt to repair or replace any part of your appliance unless it is specifically recommended in this manual. All other servicing should be referred to a qualified technician.
- ▶ Replace all access panels before operating.
- ▶ Use two or more people to move and install the appliance. Failure to do so can result in back or other injury.
- ▶ Never clean appliance parts with flammable liquids. These fumes can create a fire hazard or explosion. Never store or use gasoline or other flammable vapors and liquids in the vicinity of this or any other appliance. The fumes can create a fire hazard or explosion.
- ▶ Never connect or disconnect the electric plug with wet hands.
- ▶ It is recommended that a separate circuit, serving only your appliance be provided. Use receptacles that cannot be turned off by a switch or pull chain.



Safety Information

For your safety, read all instructions carefully before operating the appliance.

Save These Instructions

If you are experiencing problems, check the Troubleshooting Guide at the back of this manual. It lists causes of minor operating problems that you can correct yourself.

Disposal of Old Appliance

Dispose of your appliance packaging properly. Refrigeration equipment must be properly disposed of in a way which protects the environment. This applies to your old appliance and to your new unit once it has reached the end of its service life.



- ▶ Risk of child entrapment. Before you throw away your old refrigerator or freezer, take off the doors and leave the shelves in place so that children may not easily climb inside.
- ▶ The appliance must not be disposed with normal household waste collection.
- ▶ The coolant circuit, particularly the heat exchange at the back/bottom of the unit, must not be damaged.
- ▶ The symbol on the product or its packaging indicates that this product is not to be handled as normal household waste but is to be taken to a recycling collection point for electrical and electronic goods. By correctly disposing of this product you are contributing to the protection of the environment. Improper disposal endangers health and the environment. Further information about the recycling of the product may be obtained from your town hall or local waste collection department.

For your safety, read all instructions carefully before operating the appliance.

Before Using Your Appliance

- ▶ Remove all exterior and interior packing.
- ▶ Before connecting the appliance to the power source, let it stand upright for approximately 2 hours. This will reduce the possibility of a malfunction in the cooling system caused by handling during transportation.
- ▶ Clean the interior surface with warm water using a soft cloth.

Installation of Your Appliance



- ▶ The appliances are designed for either built-in, or free-standing installation.
- ▶ Place your appliance on a floor that is strong enough to support it when it is fully loaded. To level your appliance, adjust the 4 legs until level.
- ▶ Locate the appliance away from direct sunlight and sources of heat (stove, heater, radiator, etc.). Direct sunlight may affect the acrylic coating and heat sources may increase electrical consumption. Extreme cold ambient temperatures may also cause the unit not to perform properly.
- ▶ Never place the unit in damp areas.
- ▶ Plug the appliance into an exclusive, easily accessible electrical socket.
- ▶ Any questions concerning power and/or electrical connection should be directed towards a qualified electrician or an authorized products service center.
- ▶ The air vent at the front of the appliance must never be covered or blocked in any way.

Safety Information

For your safety, read all instructions carefully before operating the appliance.

- ▶ The appliance must be installed to all electrical connections in accordance with state and local codes.
- ▶ Use two or more people to move and install the refrigerator. Failure to do so can result in back or other injury.
- ▶ The refrigerator may experience decreased cooling efficiency if air flow is restricted due to a fully loaded cabinet.
- ▶ Install the refrigerator in a well-ventilated area where the ambient temperature is above 50°F and below 109°F. For outdoor models, make sure the ambient temperature range is between 50°F to 115°F
- ▶ The appliance is intended to be used in household and similar applications such as catering and similar non-retail applications.

Attention

- ▶ Never overload the cabinet.
- ▶ Never open the drawers unless necessary.
- ▶ Never cover drawers with aluminum foil or any other shelf material which may prevent air circulation.
- ▶ Should the appliance be left empty for long periods, it is suggested that the appliance be unplugged, and, after careful cleaning, leave the drawers ajar to allow air to circulate inside the cabinet in order to avoid possible condensation, mold or odors from forming.



WARNING

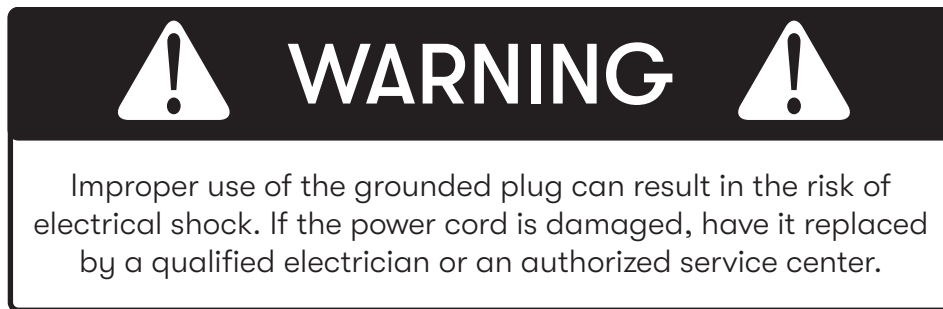


The refrigerator drawers are top heavy and may present a tip over hazard, especially when doors are open. These appliances must be secured with anti-tip brackets to prevent tipping forward. Please follow the installation instructions on how to secure the refrigerator drawers.

For your safety, read all instructions carefully before operating the appliance.

Electrical Connection

Check that the voltage marked on the product corresponds with your supply voltage.



This appliance should be properly grounded for your safety. The power cord of this appliance is equipped with a three-pin plug which mates with standard three-pin wall outlets to minimize the possibility of electrical shock.

Never under any circumstances cut or remove the third ground prong from the power cord supplied. For personal safety, this appliance must be properly grounded.

Have the wall outlet and circuit checked by a qualified electrician to make sure the outlet is properly grounded. When a standard two-pin wall outlet is encountered, it is your responsibility and obligation to have it replaced with a properly grounded three-pin wall outlet.

To prevent accidental injury, the cord should be secured behind the appliance and not left exposed or dangling.

The appliance should always be plugged into its own individual electrical outlet which has a voltage rating that matches the rating label on the appliance. This provides the best performance and also prevent overloading wiring circuits that could cause a fire hazard from overheating. Never unplug the appliance by pulling the power cord. Always grip the plug firmly and pull straight out from the receptacle. Repair or replace immediately all power cords that have become frayed or otherwise damaged. Never use a cord that shows cracks or abrasion damage along its length or at either end. When moving the appliance, be careful not to damage the power cord.

Never use your appliance with an extension cord unless this cord has been checked and tested by a qualified technician or service person. The extension cord must be a UL/CUL Listed, 3-wire grounding extension cord that has a grounding plug and outlet and that the electrical rating of the cord is 115 volts and at least 10 amperes.

Introduction

Thank you for purchasing your Zephyr refrigerator. Zephyr is dedicated to developing products that will enhance your lifestyle with superior quality and distinctive features. Please visit www.zephyronline.com for more information on your product and other Zephyr products.

This manual contains important information regarding the proper installation, use, and maintenance of your refrigerator. Following this manual will ensure that your product will work at its peak performance and efficiency.

For Your Records

Please write down the model number and serial number below for future reference. Both numbers are located on the rating label on the back of your unit and inside the the unit towards the bottom of the cabinet and are needed to obtain warranty service. You may also want to staple your receipt to this manual as it is the proof of your purchase and may also be needed for service under warranty.

Model Number:

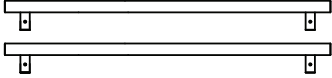

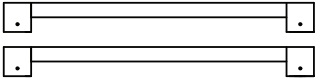





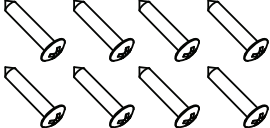

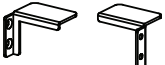


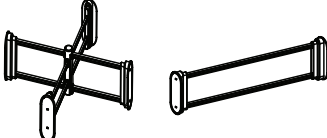
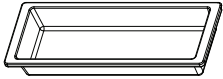
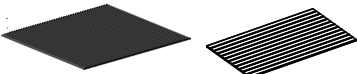
Serial Number:

Date of Purchase:

To better serve you, please do the following before contacting customer service:

If you received a damaged product, immediately contact the retailer or dealer that sold you the product.

- ▶ Read and follow this instruction manual carefully to help you install, use and maintain your refrigerator.
- ▶ Read the troubleshooting section of this manual as it will help you diagnose and solve common issues.
- ▶ Visit us on the web at <http://www.zephyronline.com> to download product guides, additional troubleshooting resources and up-to-date information.
- ▶ If you need warranty service, our friendly customer service representatives are available on our website at <http://zephyronline.com/contact>.

Quantity	Part
	Contemporary drawer handles (PRRD24C1AS only)
	Spare handle screws (M6*6) (PRRD24C1AS only)
	Pro drawer handles (PRRD24C2AS & PRRD24C2AS-OD only)
	Spare handle screws (M6*10) (PRRD24C2AS & PRRD24C2AS-OD only)
	Handle screws (excludes PRRD24C2AP)
	PRHAN-Cxxx handle screws (M4*20) (PRRD24C2AP only)
	PRHAN-Cxxx flat washers (Φ4.3*Φ8*0.5, M4) (PRRD24C2AP only)
	PRHAN-Cxxx spring washers (Φ4*1.1, M4) (PRRD24C2AP only)
	Self-tapping screws (ST4*45) (PRRD24C2AP only)
	M3 Allen key (hex key) (excludes PRRD24C2AP)
	Anti-tip bracket
	Double-sided tape
	Self-tapping screws (ST4*12)
	Upper & lower drawer dividers
	Upper drawer tray
	Upper & lower silicone drawer mats (excludes PRRD24C1AS)

Product Specifications

REFRIGERATOR
DRAWERS

SINGLE & DUAL ZONE

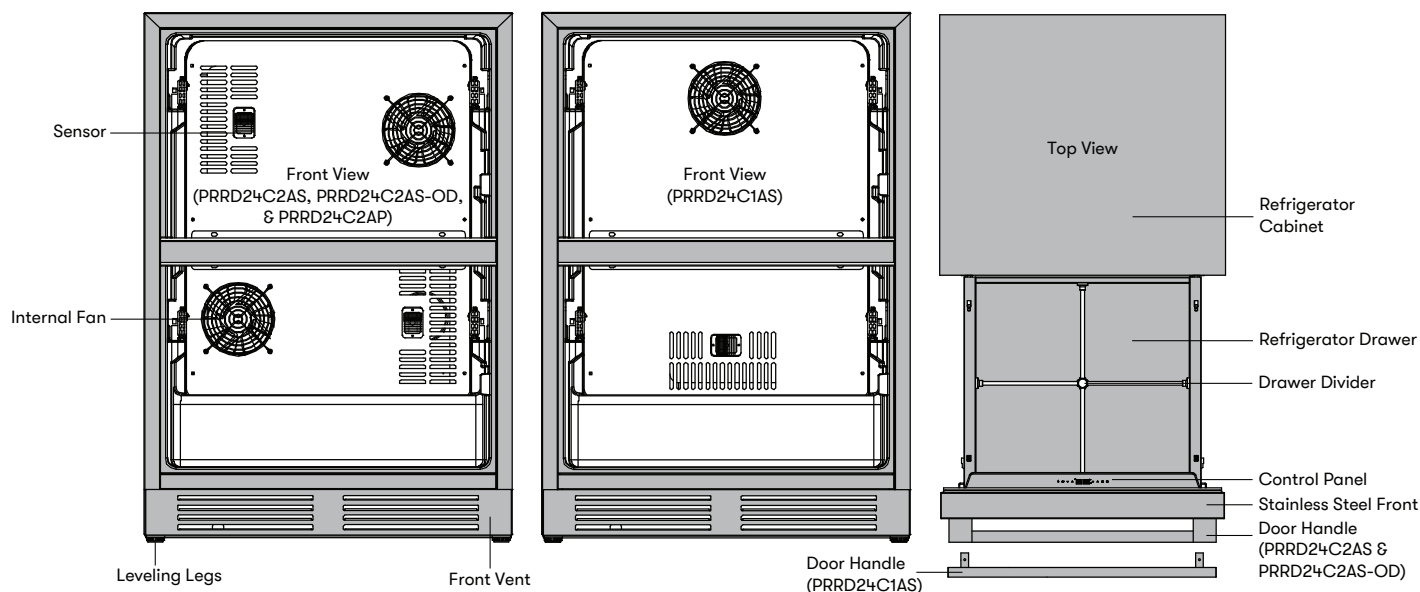
Product Summary

This appliance requires a standard 115/120 Volt AC~60Hz electrical ground outlet.

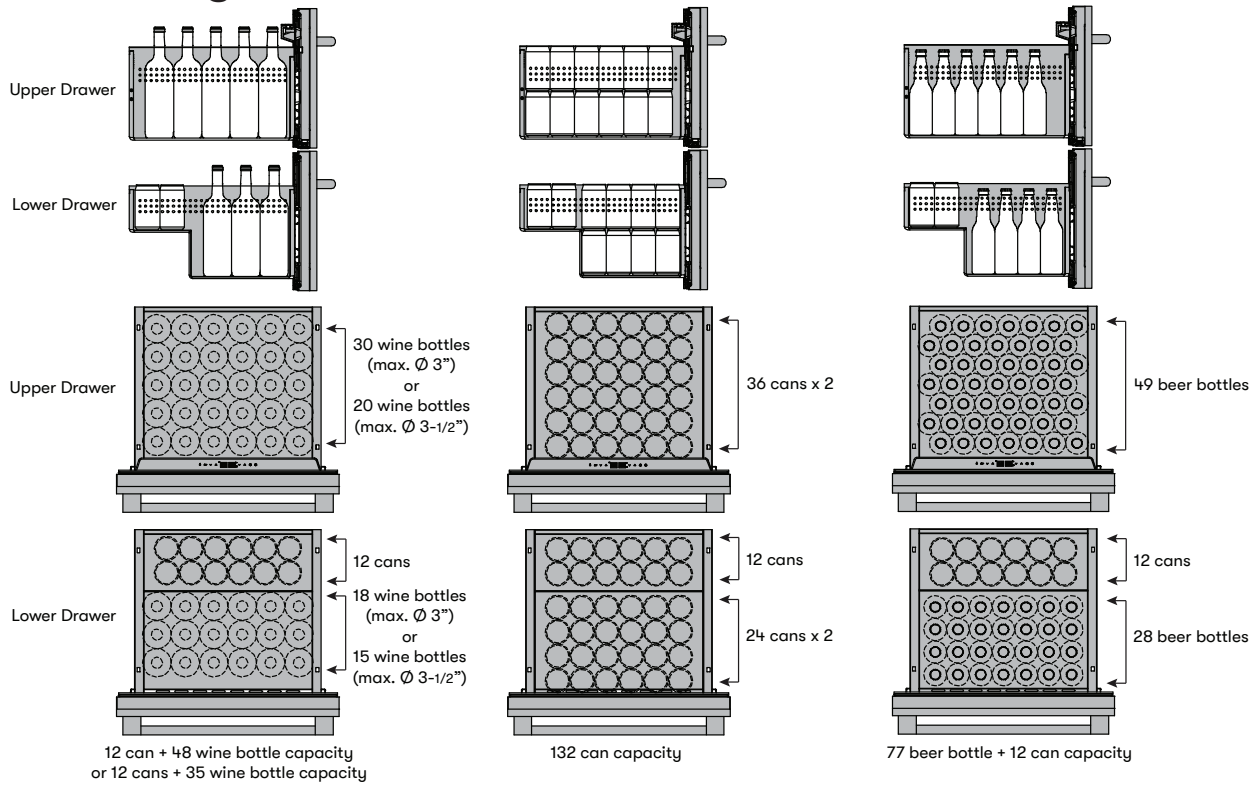
DESCRIPTION OF PRODUCT	Presrv™ Single Zone Refrigerator Drawers Presrv™ Dual Zone Refrigerator Drawers Presrv™ Dual Zone Panel Ready Refrigerator Drawers Presrv™ Dual Zone Outdoor Refrigerator Drawers	
MODEL & GROSS WEIGHT (lb)	PRRD24C1AS: 150lb PRRD24C2AS: 152lb	PRRD24C2AP: 134lb PRRD24C2AS-OD: 148lb
VOLTAGE/FREQUENCY	AC 115/60Hz	
AMPERAGE	1.5A	
COLOR	PRRD24C1AS: Black Cabinet with White Drawers PRRD24C2AS: Black Cabinet with Stainless Steel Drawers PRRD24C2AP: Black Cabinet with Stainless Steel Drawers PRRD24C2AS-OD: Stainless Steel Cabinet with Stainless Steel Drawers	
STORAGE CAPACITY*	PRRD24C1AS: 5.4 cubic ft PRRD24C2AS: 5.1 cubic ft	PRRD24C2AP: 5.1 cubic ft PRRD24C2AS-OD: 5.1 cubic ft
REFRIGERANT	R600a	
TEMPERATURE RANGE	33°F - 65°F	
DIMENSIONS (HxWxD)	33-7/8" X 23-7/8" X 24"	
WEIGHT CAPACITY (lb)	66lb per drawer	

*Storage capacity is based on standard 12 oz. cans and 750 ml. Bordeaux-style wine bottles.

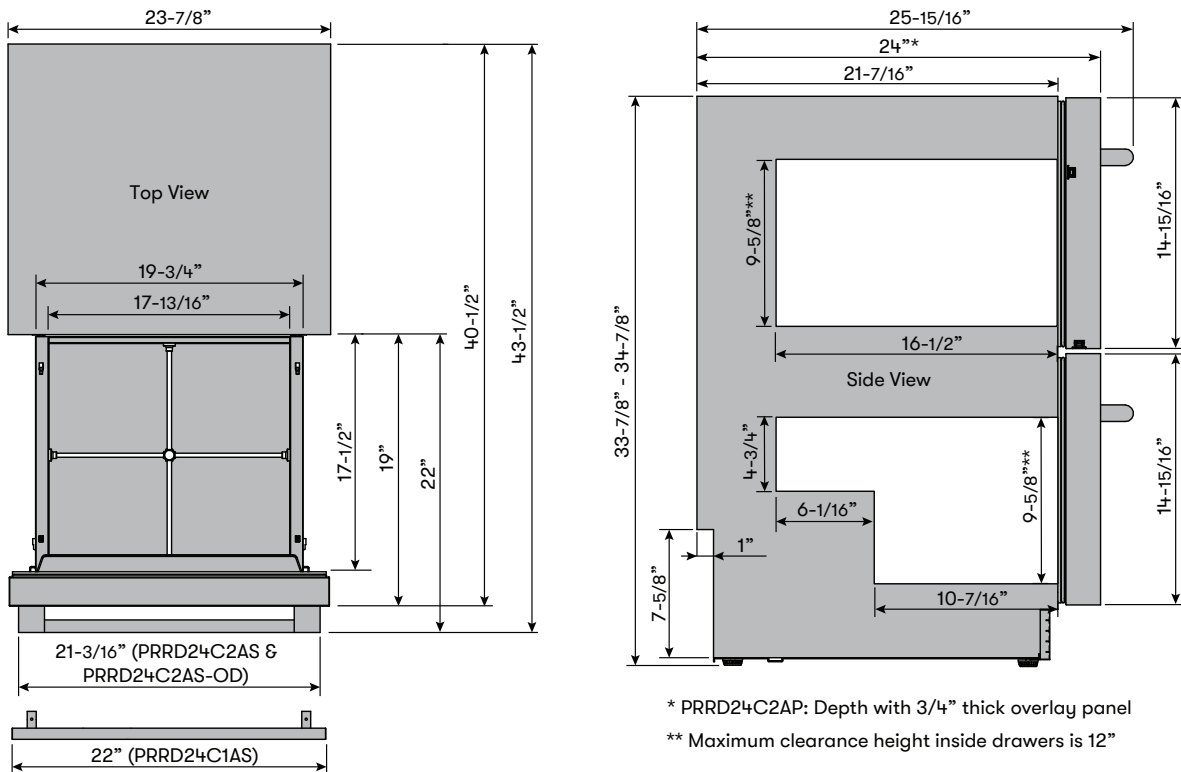
Parts Identification



Internal Storage Ideas



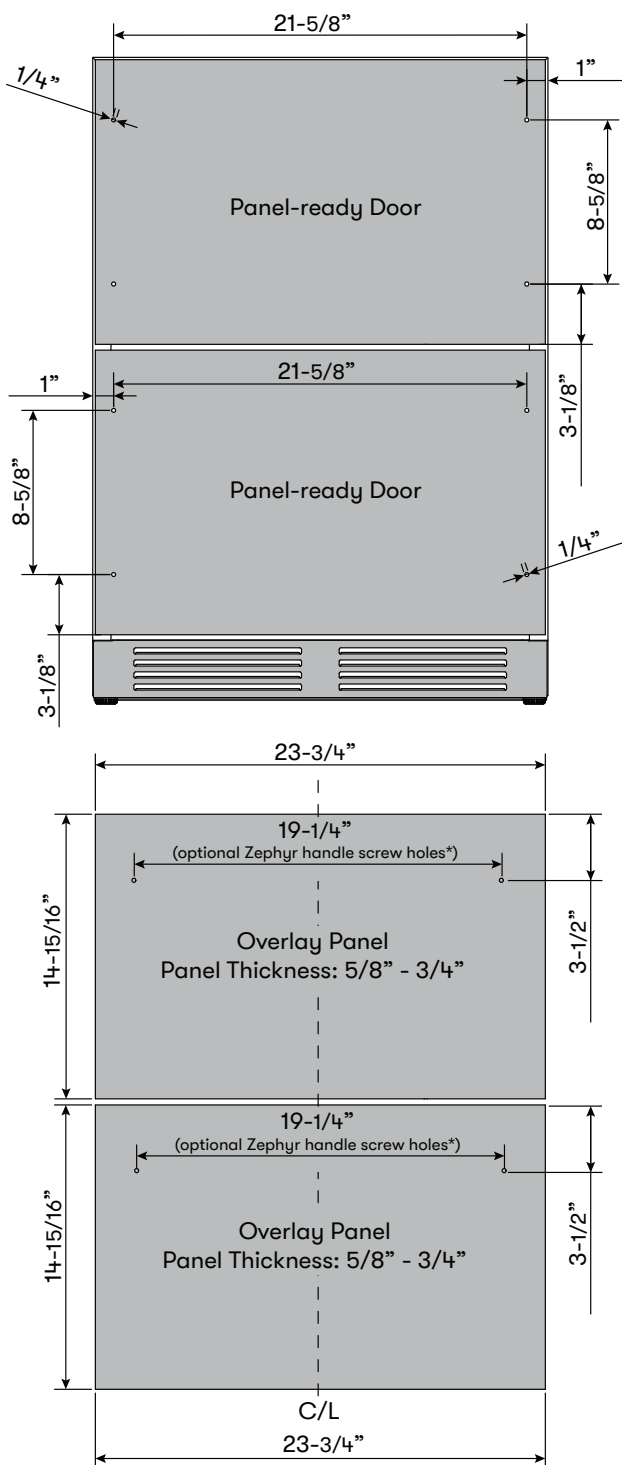
Dimensions



Product Specifications

Dimensions

The dimensions below are specifically for the wood overlay panel for the model, PRRD24C2AP.

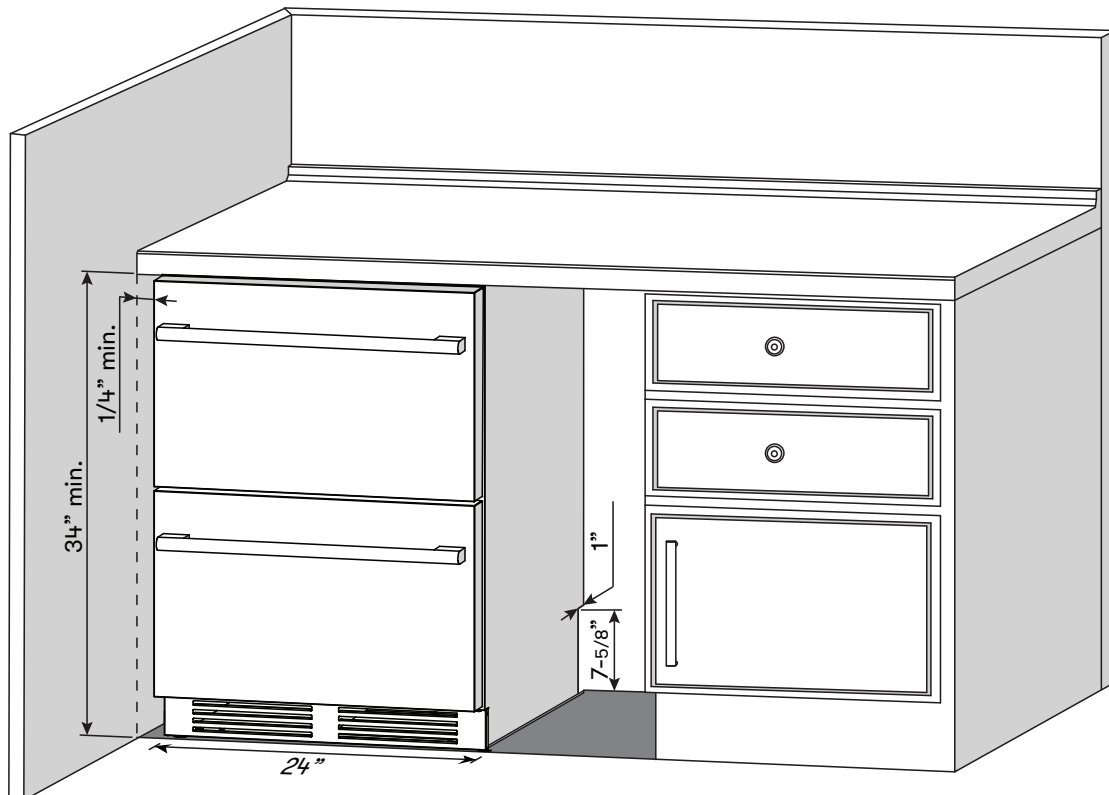


* Hole locations are compatible with Zephyr handle accessory models PRHAN-Cxxx

Installation Clearance Requirements

When installing the refrigerator drawers under a counter, follow the recommended spacing dimensions shown.

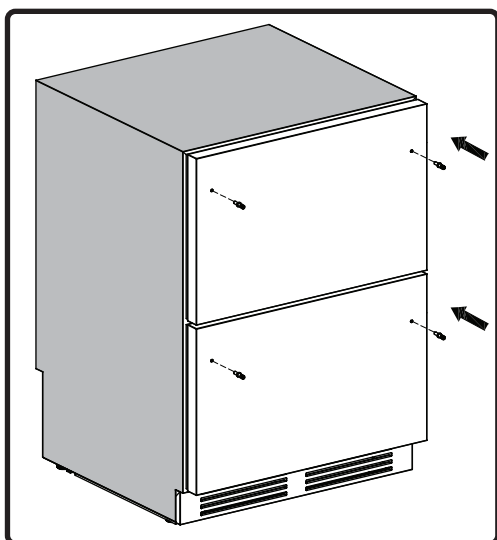
- ▶ The recessed lower back section has a height of 7-5/8" and depth of 1" to accommodate the electrical plug.
- ▶ An installation next to a wall will require a minimum 1/4" clearance.
- ▶ The cabinet should allow at least 24" for the width and 34" for the height to accommodate the refrigerator drawers.
- ▶ The power cable is located on the back right of the unit and has a length of 78-3/4" to accommodate multiple outlet locations.
- ▶ Once you are ready to install the unit, you must adjust the feet to level the refrigerator drawers. An improperly leveled drawer may not close properly.
- ▶ This refrigerator can be fully built-in to cabinetry and does not require any additional clearances besides what is referenced below.
- ▶ The installation should allow the unit to be pulled forward for servicing, if necessary.



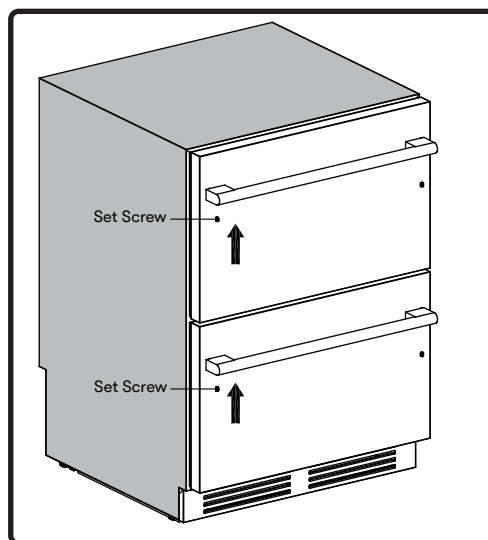
Installation Instructions

Installing the Drawer Handles

The following instructions for installing the drawer handles apply only for the models, PRRD24C1AS, PRRD24C2AS, and PRRD24C2AS-OD. The contemporary handles replacement part number per handle is 50280011, and the part number for each pro handle is 50280012.



1. Secure (4) handle screws onto the drawers.



2. Install handles onto the drawers. Using the hex key, tighten the (2) set screws on the bottom of each panel.

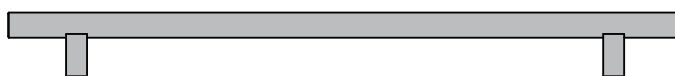
Installing the Drawer Handles and Overlay Panel

Drawer handles are not included with the panel ready model, PRRD24C2AP. You may choose your own handles that match your cabinetry, or you may purchase Zephyr contemporary or pro handles. The part numbers are listed below.

NOTE: These handles are not compatible with PRRD24C1AS, PRRD24C2AS, and PRRD24C2AS-OD.

Zephyr Presrv Contemporary Handles

Part #: PRHAN-C101	Color: Stainless Steel
Part #: PRHAN-C102	Color: Brushed Gold
Part #: PRHAN-C104	Color: Matte Black



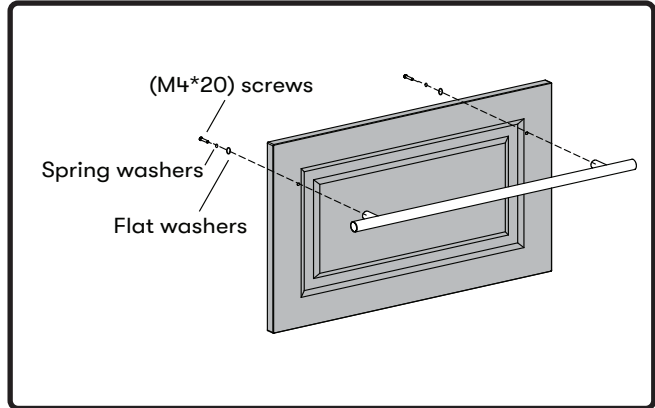
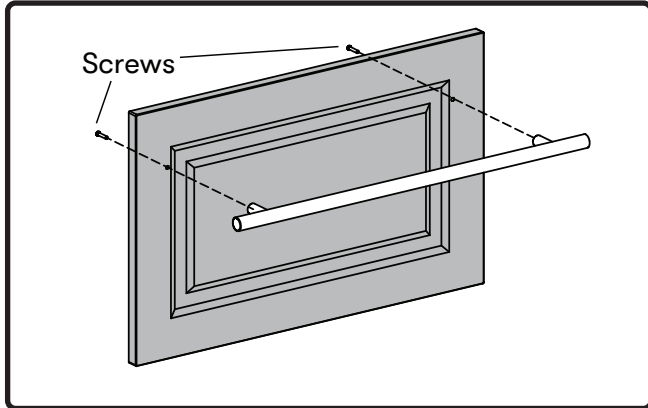
Zephyr Presrv Pro Handle

Part #: PRHAN-C001	Color: Stainless Steel
--------------------	------------------------



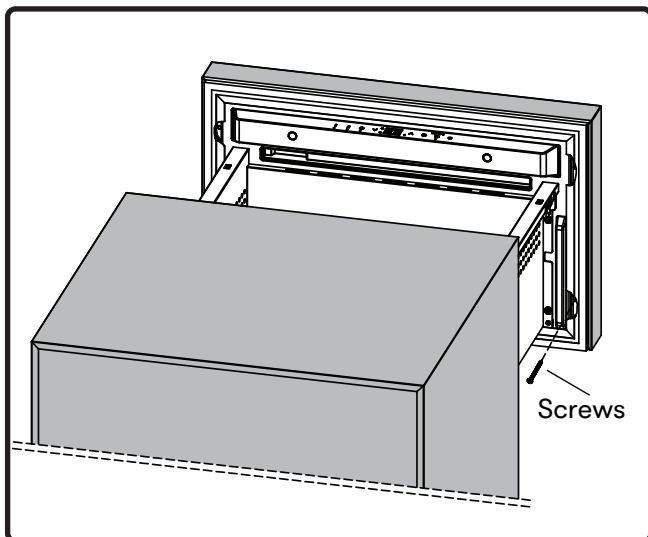
Installing the Drawer Handles and Overlay Panel

The following instructions for installing the drawer handles and overlay panel apply only for the model, PRRD24C2AP. You may install your own handle onto the wood overlay panel. Take care to measure and drill the handle screw holes accurately and source the appropriate screws (not included) unless using Zephyr PRHAN-Cxxx accessory handles.

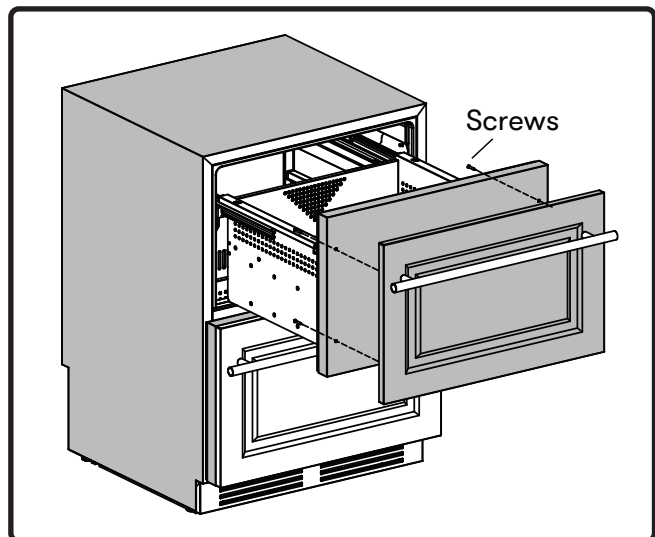


1. **Custom Handles:** Drill (2) holes per overlay panel to install the handles. Refer to page 16 for measurements. Install each of the handles onto the overlay panels by (2) screws.

1. **Zephyr Handles:** Drill (2) holes counterbore per overlay panel to install the handles. Install each of the handles onto the overlay panels by (2) M4*20 screws, spring washers, and flat washers.



2. Pull out the drawer and push aside the door gasket to reveal screw holes where (4) ST4*45 screws will be inserted per overlay panel.

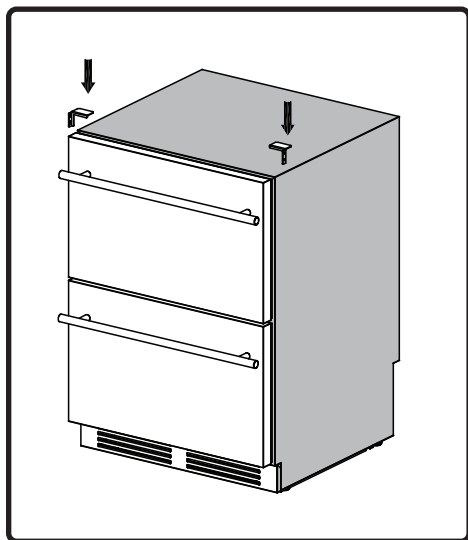


3. Clamp the overlay panel with the drawer door firmly with bar clamps and screw (4) self-tapping screws for each overlay panel. Make sure the overlay panel is completely secured.

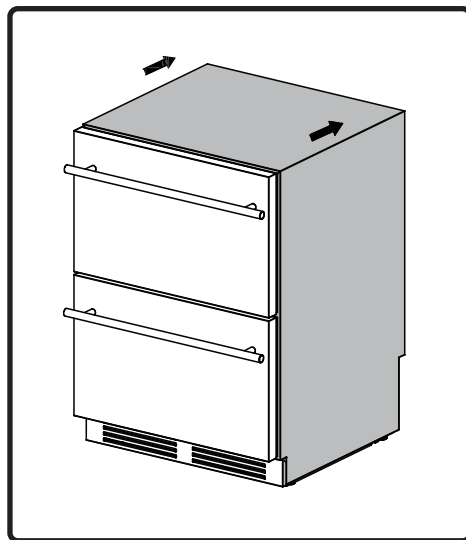
Installation Instructions

Installing the Anti-tip Bracket

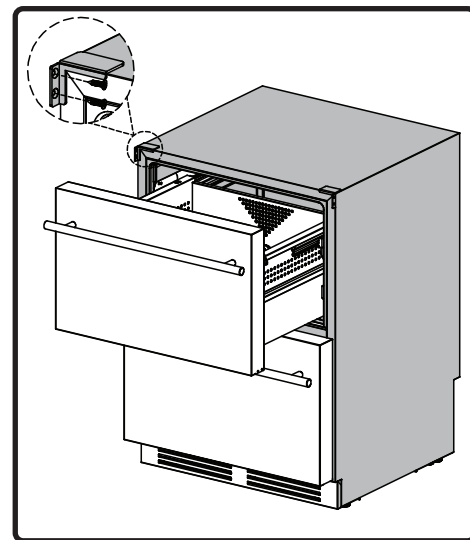
Underneath a Countertop



1. Attach the left and right anti-tip brackets onto the refrigerator drawers with 3M tape.

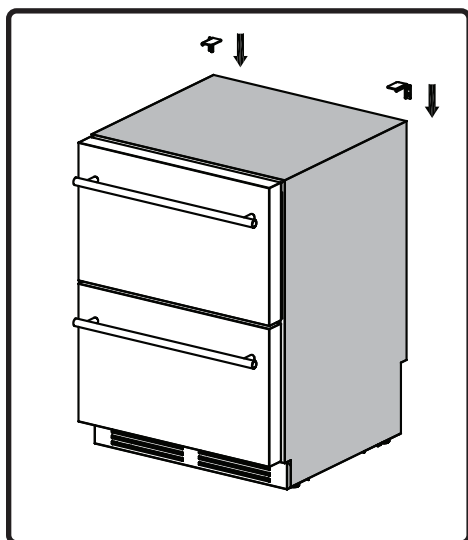


2. Push the refrigerator drawers against the wall or cupboard.

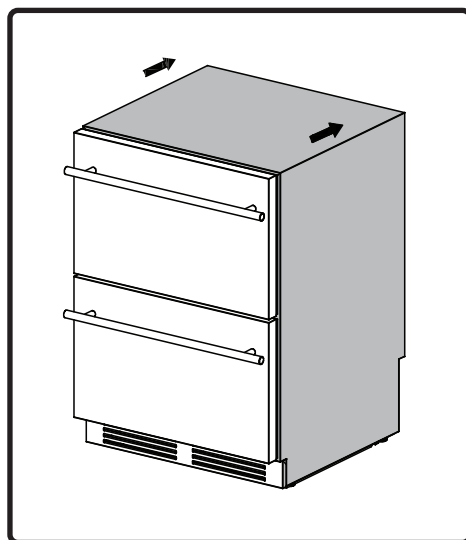


3. Pull out the upper drawer and secure the left and right anti-tip brackets with (2) ST4*12 screws each.

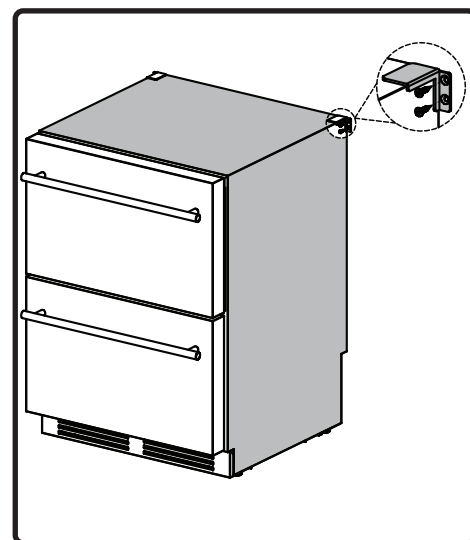
Freestanding Against a Wall



1. Attach the left and right anti-tip brackets onto the refrigerator drawers with 3M tape.



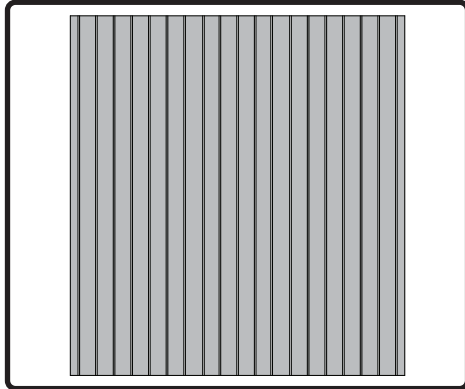
2. Push the refrigerator drawers against the back wall.



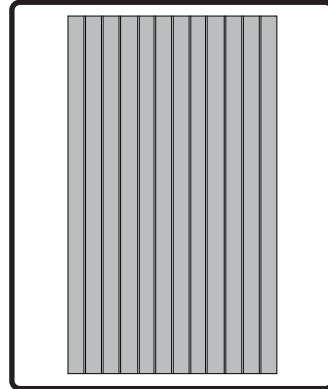
3. Secure the left and right anti-tip brackets with (2) ST4*12 screws each to the back wall at the back of the refrigerator.

Installing the Silicone Mats and Drawer Tray

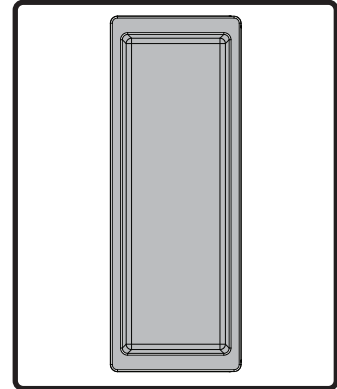
Place the upper and lower silicone mats and transparent drawer tray in their respective areas in the refrigerator drawers. With the silicone mats, your contents will less likely slip and make cleanup easier. The silicone mats are not available for PRRD24C1AS. The replacement part numbers for the silicone mats are 54290001 (upper) and 54290002 (lower) and 56130056 for the transparent drawer tray.



Upper Silicone Mat



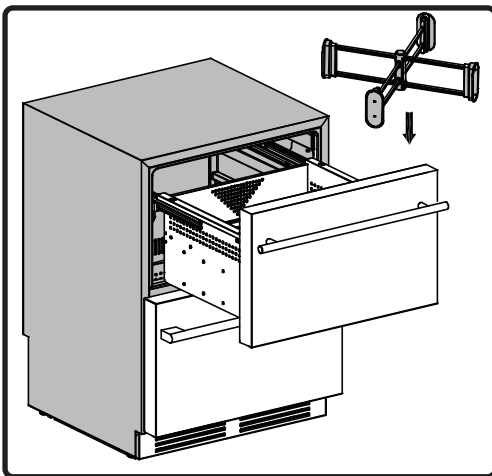
Lower Silicone Mat



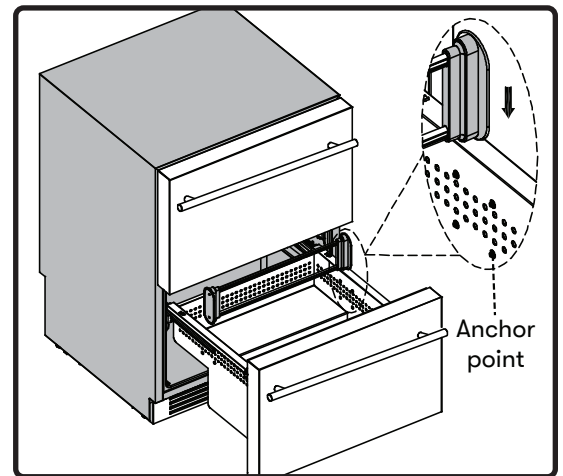
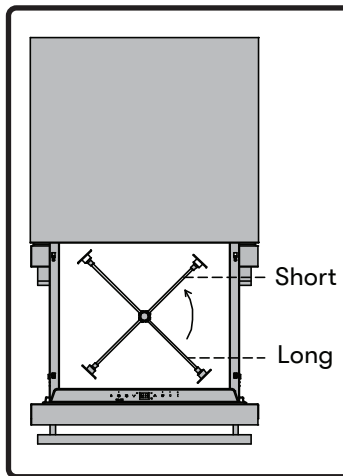
Transparent Drawer Tray

Installing the Upper and Lower Drawer Dividers

The upper and lower drawer dividers allow you to organize your contents easier. The upper drawer divider can slide left and right, front and back, for multiple arrangement options.



Upper Drawer



Lower Drawer

1. Pull out the upper drawer and hold the upper drawer divider at a 45 degree angle as shown above.
2. Place the divider inside the upper drawer and rotate the divider 45 degrees to the left until aligned correctly.

1. Pull out the lower drawer and place the divider in the middle of the drawer.
2. Align the drawer with the anchor points and push the ends down.

Operating Your Appliance

If the unit is unplugged, power lost, or turned off, you must wait 3 to 5 minutes before restarting the unit. If you attempt to restart before this time delay, the appliance may not start and will not keep the last set temperature.

Using the Control Panel



The refrigerator drawers have a temperature range from 33°F-65°F.

- Power Button**
- Press and hold this button for three seconds to power your unit on or off. While the unit is on, the R “Compressor Running” light may illuminate to indicate the internal compressor is active. After powering off, all button lights will stay off. Once any button is touched, the power button will illuminate for five seconds.
- Quick Chill**
- Press this button to activate the Quick Chill setting. The LED indicator will flash 5 times before setting the temperature to 33°F. After 24 hours or if the Quick Chill button is pressed again, the unit will return to the temperature setting prior to entering Quick Chill.
- NOTE:** For dual zone models, pressing Quick Chill once will activate the upper zone, and the upper zone display will flash 5 times before setting the temperature to 33°F. Pressing the Quick Chill button again while the display is flashing will enable Quick Chill in the lower zone.
- Interior Light**
- Press this button to cycle through the different internal light settings. The lights, display window, and button colors will be affected. There are three light settings: Cloud White, Deep Blue and Amber. To turn the lights off and on, press and hold the Interior Light button for three seconds.
- Decrease Temperature**
- Press this button to decrease the temperature by one (1) degree increments. 33°F is the lowest available temperature on this unit.
- Increase Temperature**
- Press this button to increase the temperature by one (1) degree increments. 65°F is the highest available temperature on this unit.
- °F/°C Selector**
- Hold the Increase and Decrease Temperature buttons at the same time for three seconds to switch the display temperature.

Preset Temperature Modes

Pressing these buttons will activate their preset temperature setting. Their respective LED indicator will illuminate and the display window will flash 5 times before the temperature sets.

The default temperature for each preset temperature can be adjusted by pressing the Increase or Decrease Temperature buttons while the display is flashing. The default temperature and adjustable temperature range is listed below for each mode.

If the preset temperature mode is enabled, pressing the Increase or Decrease Temperature buttons will exit the preset temperature mode, allowing manual control over the temperature.

NOTE: For dual zone models, pressing one of the preset temperature modes once will activate the upper zone, and the upper zone display flash 5 times before the temperature sets. Pressing one of the preset temperature modes again while the display is flashing will enable that mode for the lower zone.

Produce Mode



- ▶ Default temperature: 39°F
- ▶ Adjustable temperature range: 36°F - 41°F

Beverage Mode



- ▶ Default temperature: 34°F
- ▶ Adjustable temperature range: 34°F - 40°F

Wine Mode



- ▶ Default temperature: 50°F
- ▶ Adjustable temperature range: 40°F - 65°F

NOTE: The refrigerator drawers is equipped with a memory function. If power is suddenly lost, the previous setting will be saved, and the refrigerator drawers will return to this setting once power is restored.

Demonstration Mode

In this mode, the compressor and fans never turn on but all other functions remain enabled. When in Demonstration Mode, the “R” indicator light will slowly blink indicating it is in Demonstration Mode.

To enable or disable Demonstration mode, press and hold the Interior Light button and tap the Decrease Temperature button twice. For dual zone models, use the left side Decrease Temperature button.

Operating Your Appliance

Sabbath Mode

Sabbath mode disables system responses to user-initiated activities and all external functions, including lighting, display and audible alarms. The unit will still maintain internal temperatures and set points.

To enable or disable Sabbath mode, press and hold the Interior Light and tap the Increase Temperature button twice. For dual zone models, use the left side Increase Temperature button. The interior light and control display will go dark, excluding the Interior Light and Increase Temperature buttons until the user disables Sabbath mode.

NOTE: Although the display will not be visible, the temperature settings will remain active and preserve the internal temperature. Sabbath mode will remain active until it is disabled by the user.

Drawer Open Alarm

After 3 minutes of the drawers being open, an alarm will sound and the display will flash with 00.

Temperature Alarm

If the interior temperature is higher than 73°F (23°C), “HI” is shown on the temperature control panel and the temperature alarm will sound continuously after one hour. This indicates that the inner temperature is too high. If the inner temperature is lower than 23°F (-5°C), “LO” is shown on the temperature display panel and the temperature alarm will sound continuously after 15 minutes. If one of these situations occur, please reference the troubleshooting section for support.

Defrosting

The refrigerator drawers is designed with an automatic defrost system. However, on colder settings, some frost may build up. Additionally, the more humid the ambient conditions, the more frost may build up. Keep the drawers closed as much as possible and avoid opening the drawers unnecessarily to minimize frost build-up.

If frost is preventing the drawers from closing properly, you may need to power the unit off until the frost melts (possibly up to 24 hours). Use a soft absorbent towel to dry the unit.

Normal Sounds

Your new refrigerator may make sounds that are not familiar to you. Most of the new sounds are normal. Hard surfaces like the floor or walls can make the sounds seem louder than they actually are. The following describes the kinds of sounds that might be new to you and what may be making them.

- ▶ Rattling noises may come from the flow of the refrigerant or the water line.
- ▶ Items stored on top of the refrigerator drawers can also make noises.
- ▶ The high efficiency compressor may make a pulsating or high-pitched sound.
- ▶ Water running from the evaporator to the water bin may make a splashing sound.
- ▶ As each cycle ends, you may hear a gurgling sound due to the refrigerant flowing in your refrigerator.
- ▶ You may hear air being forced over the condenser by the condenser fan.

Cleaning the Unit

Periodic cleaning and proper maintenance will ensure efficiency, top performance, and long life.

Interior Cleaning

1. Disconnect power to the unit.
2. Open the drawers and remove the divider, tray, and silicone mats. Clean the tray and silicone mats in the sink.
3. With a clean cloth, wipe down the interior of the unit.
4. Reinsert the dividers, tray, silicone mats and contents.
5. Reconnect power to the unit.

Exterior Cleaning

The drawers and cabinet may be cleaned with a mild detergent and lukewarm water solution such as two (2) tablespoons of baking soda to one (1) quart of water. Do not use solvent based or abrasive cleaners. Use a soft sponge and rinse with clean water. Wipe with a soft clean towel to prevent water spotting. If the drawer panel is stainless steel, it can discolor when exposed to chlorine gas and moisture. Clean stainless steel with a cloth dampened with a mild detergent and warm water solution. Never use an abrasive or caustic cleaning agent.

Care and Maintenance

Power Failure

Most power failures are corrected within a few hours and should not affect the temperature of your appliance if you minimize the number of times the drawers are opened. If the power is going to be off for a longer period of time, you need to take the proper steps to protect your contents.

Moving Your Refrigerator Drawers

- ▶ Remove all items.
- ▶ Turn the adjustable leg all the way up (clockwise) to the base to avoid damage.
- ▶ Tape the drawers shut.
- ▶ Be sure the appliance stays secure in the upright position during transportation. Also protect outside of appliance with a blanket, or similar item.

Energy Saving Tips

- ▶ The appliance should be located in the coolest area of the room, away from heat producing appliances, and out of the direct sunlight.
- ▶ Ensure that the unit is adequately ventilated. Never cover air vents.
- ▶ Only open the drawers for as long as necessary.

Troubleshooting

Possible Problem	Possible Cause	Solutions
The appliance does not operate.	Not plugged in.	Ensure the appliance is plugged in and the power outlet has power.
	The appliance is turned off.	Turn on the appliance.
	The circuit breaker tripped or has a blown fuse.	Replace the broken fuse or reset the breaker.
	Sabbath mode may be enabled.	See the Operating Your Appliance section and verify if Sabbath mode is disabled.
The appliance is not cold enough.	Temperature control setting is too high.	Adjust the set temperature.
	External environment may require a higher setting.	Keep the appliance away from sunshine or other heat sources.
	The drawer is opened too frequently or for long periods of time.	Close the drawer tightly and do not open the drawer too frequently or for a long period of time.
	The drawer gasket is not sealed properly.	Ensure the drawer gasket is not loose.
	Demonstration mode may be enabled.	See the Operating Your Appliance section and verify if Demonstration mode is disabled.
	The cooler does not have sufficient ventilation.	Read and follow the “Installation Clearance Requirements” in the Installation Instructions section.
The appliance turns on and off frequently.	The cooler has restricted air flow due to too much storage.	Open space in the cabinet to allow air flow.
	The room temperature is hotter than normal.	Run the refrigerator at the appropriate ambient temperature.
	The drawer gasket is not sealed properly.	Ensure the drawer gasket is not loose.
	The drawer is opened too frequently or for long periods of time.	Close the drawer tightly and do not open the drawer too frequently or for a long period of time.
	The cooler does not have sufficient ventilation.	Read and follow the “Installation Clearance Requirements” in the Installation Instructions section.
	The drawer is not closed completely	Make sure the drawer is completely closed.

Troubleshooting

Possible Problem	Possible Cause	Solutions
The body of the appliance is electrified.	The unit is not properly grounded.	Contact your local electrician to test your electrical grounding system.
Frost is forming in the appliance.	The environment is too humid.	The unit uses an 'auto-defrost' system, under certain conditions, manual defrosting may be required. If frost builds up, you can try running the refrigerator on a warmer temperature setting, minimizing the number of times you open the drawer or unplugging the unit to allow the frost to melt.
	The ambient temperature is too low.	
The appliance makes too much noise.	The drawer is being opened too frequently.	
	The rattling noise may come from the flow of the refrigerant, which is normal. As each cycle ends, you may hear gurgling sounds caused by the flow of refrigerant in the appliance.	It is normal that as each cooling cycle ends, you may hearing rattling or gurgling sounds caused by the flow of refrigerant in the appliance. The high efficiency compressor may make a pulsating or high pitched sound.
	Contraction and expansion of the inside walls may cause popping and cracking noises.	Some popping or cracking noises are normal. They are caused by expansion and contraction of the inside walls due to temperature changes.
The drawer will not close properly.	The unit is not level or is touching another appliance.	Check to make sure the cooler is level and that it is non in contact with another appliance or furniture.
	The appliance is not level.	Make sure the appliance is on a level surface.
	The drawer gasket is not installed correctly.	Make sure the drawer gasket is properly installed.
	The gasket is dirty.	Clean the drawer gasket.
	The shelves are out of position.	Install the shelves correctly.

Zephyr Ventilation, LLC (referred to herein as “we” or “us”) warrants to the original consumer purchaser (referred to herein as “you” or “your”) of Zephyr products (the “Products”) that such Products will be free from defects in materials or workmanship as follows:

Five Year Limited Warranty for Compressor: For five years from the date of your original purchase of the Products, we will provide, free of charge, compressor parts to replace those that failed due to manufacturing defects subject to the exclusions and limitations below. We may choose, in our sole discretion, to repair or replace parts before we elect to replace the Products.

Two Year Limited Warranty for Parts: For two years from the date of your original purchase of the Products, we will provide, free of charge, Products or parts (including LED light bulbs, if applicable) to replace those that failed due to manufacturing defects subject to the exclusions and limitations below. We may choose, in our sole discretion, to repair or replace parts before we elect to replace the Products.

Two Year Limited Warranty for Labor: For two years from the date of your original purchase of the Products, we will provide, free of charge, the labor cost associated with repairing the Products or parts to replace those that failed due to manufacturing defects subject to the exclusions and limitations below.

To Obtain Service Under Limited Warranty: To qualify for warranty service, you must: (a) notify us at www.zephyronline.com/contact within 60 days of discovering the defect; (b) give the model number and serial number; and (c) describe the nature of any defect in the Product or part. At the time of the request for warranty service, you must present evidence of your proof of purchase and proof of the original purchase date. If we determine that the warranty exclusions listed above apply or if you fail to provide the necessary documentation to obtain service, you will be responsible for all shipping, travel, labor and other costs related to the services. This warranty is not extended or restarted upon warranty repair or replacements.

Warranty Exclusions: This warranty covers only repair or replacement, at our option, of defective Products or parts and does not cover any other costs related to the Products including but not limited to: (a) normal maintenance and service required for the Products and consumable parts such as filters, light bulbs, fuses; (b) any Products or parts which have been subject to freight damage, misuse, negligence, accident, faulty installation or installation contrary to recommended installation instructions, improper maintenance or repair (other than by us); (c) commercial or government use of the Products or use otherwise inconsistent with its intended purpose; (d) natural wear of the finish of the Products or wear caused by improper maintenance, use of corrosive and abrasive cleaning products, pads, and oven cleaner products; (e) chips, dents or cracks caused by abuse or misuse of the Products; (f) service trips to your home to teach you how to use the Products; (g) damage to the Products caused by accident, fire, floods, acts of God; or (h) Custom installations or alterations that impact serviceability of the Products. (i) Damage to personal property or food spoilage from use of this product. If you are outside our service area, additional charges may apply for shipping costs for warranty repair at our designated service locations and for the travel cost to have a service technician come to your home to repair, remove or reinstall the Products. After the first year from the date of your original purchase, you are also responsible for all labor costs associated with this warranty. All Products must be installed by a qualified professional installer to be eligible for warranty repairs or service.

Limitations of Warranty: OUR OBLIGATION TO REPAIR OR REPLACE, AT OUR OPTION, SHALL BE YOUR SOLE AND EXCLUSIVE REMEDY UNDER THIS WARRANTY. WE SHALL NOT BE LIABLE FOR INCIDENTAL, CONSEQUENTIAL OR SPECIAL DAMAGES ARISING OUT OF OR IN CONNECTION WITH THE USE OR PERFORMANCE OF THE PRODUCTS. THE EXPRESS WARRANTIES IN THE PRECEDING SECTION ARE EXCLUSIVE AND IN LIEU OF ALL OTHER EXPRESS WARRANTIES. WE HEREBY DISCLAIM AND EXCLUDE ALL OTHER EXPRESS WARRANTIES FOR THE PRODUCTS, AND DISCLAIM AND EXCLUDE ALL WARRANTIES IMPLIED BY LAW, INCLUDING THOSE OF MERCHANTABILITY AND FITNESS FOR A PARTICULAR PURPOSE. Some states or provinces do not allow limitations on the duration of an implied warranty or the exclusion or limitation of incidental or consequential damages, so the above limitations or exclusions may not apply to you. To the extent that applicable law prohibits the exclusion of implied warranties, the duration of any applicable implied warranty is limited to the same two-year and one-year periods described above if permitted by applicable law. Any oral or written description of the Products is for the sole purpose of identifying the Products and shall not be construed as an express warranty. Prior to using, implementing or permitting use of the Products, you shall determine the suitability of the Products for the intended use, and you shall assume all risk and liability whatsoever in connection with such determination. We reserve the right to use functionally equivalent refurbished or reconditioned parts or Products as warranty replacements or as part of warranty service. This warranty is not transferable from the original purchaser and only applies to the consumer residence where the Product was originally installed located in the United States and Canada. This warranty is not extended to resellers.

Please check our website for any additional product information, www.zephyronline.com
For warranty support, contact us at www.zephyronline.com/contact

AUG23.0401

Product Registration

Don't Forget to Register your Zephyr Presrv™ Cooler

Congratulations on your Presrv purchase! Please take a moment to register your new cooler.

Why is it important?

Prompt registration helps in more ways than one:

- Ensures warranty coverage should you need service
- Ownership verification for insurance purposes
- Notification of product changes or recalls

How about a review?

While you're at it, leave a review to let us know how much you love your cooler.



Register

zephyronline.com/registration



Review

qrs.ly/c7ea9sj

Search your Presrv model number in the top navigation bar

ZEPHYR

zephyronline.com | 2277 Harbor Bay Pkwy. | Alameda, CA 94520

ZEPHYR

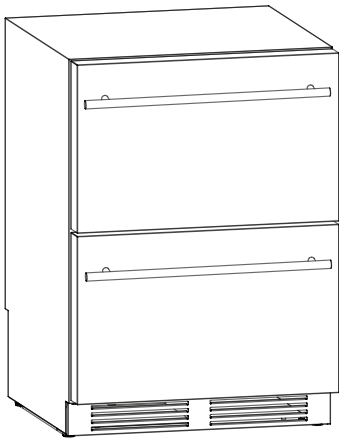
WWW.ZEPHYRONLINE.COM

PRRD24C1AS PRRD24C2AS PRRD24C2AP PRRD24C2AS-OD

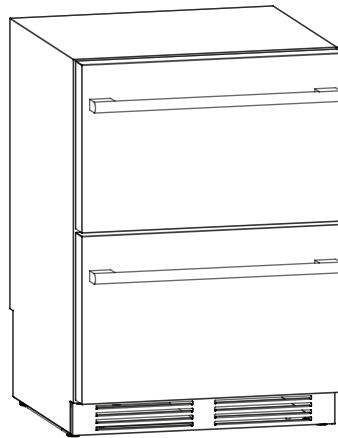
Tiroirs de réfrigérateur Presrv™

EN Use, Care, and Installation Guide

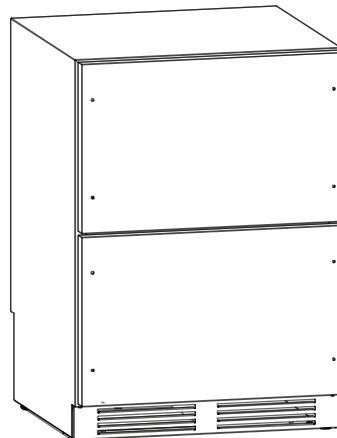
FR Guide d'utilisation, d'entretien et d'installation



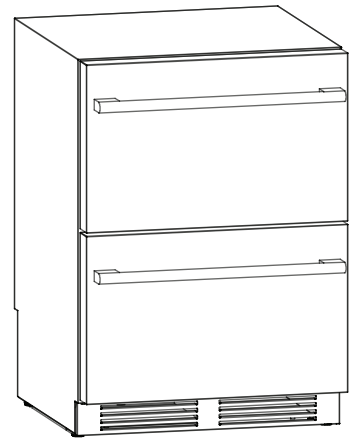
PRRD24C1AS
(zone unique)



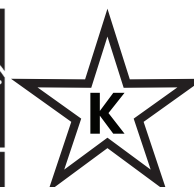
PRRD24C2AS
(deux zone)



PRRD24C2AP
(prêt pour panneau à
deux zones)



PRRD24C2AS-OD
(extérieur deux zone)



	Page
Consignes de sécurité	4-11
Types d'avertissements de sécurité.....	4
Sécurité générale	5-7
Conservez les présentes instructions	8
Comment mettre votre vieil appareil au rebut	8
Avant d'utiliser votre appareil	9
Installation de votre appareil	9-10
Attention.....	10
Raccordement électrique.....	11
Introduction	12
Liste de matériel.....	13
Spécifications du produit	14-16
Informations sur le produit.....	14
Identification des pièces	14
Idées de stockage interne	15
Dimensions.....	15-16
Instructions d'installation	17-21
Espace libre requis pour l'installation.....	17
Installation des poignées de tiroir	18
Installation des poignées de tiroir et du panneau superposé	18-19
Installation du support anti-basculement	20
Installation des tapis en silicone et du plateau de tiroir.....	21
Installation des séparateurs de tiroir supérieur et inférieur.....	21
Fonctionnement de votre appareil	22-24
Utilisation du panneau de configuration.....	22-23
Mode de démonstration.....	23
Mode Sabbat	24
Alarme d'ouverture de tiroir	24
Alarme de température.....	24
Décongélation	24
Entretien.....	25-26
Bruits normaux	25
Nettoyage et entretien	25
Panne d'électricité.....	26
Déplacer les tiroirs de votre réfrigérateur	26
Conseils d'économie d'énergie.....	26
Dépannage	27-28
Garantie limitée	29
Enregistrement du produit.....	30

Consignes de sécurité

ZONE UNIQUE ET DOUBLE

Votre sécurité et celle des gens qui vous entourent sont très importantes.

Ce manuel contient de nombreux messages de sécurité relatifs à votre appareil. Lisez tous les messages et conformez-vous-y en tout temps.



Voici le symbole d'alerte à la sécurité. Ce symbole vous informe de possibles dangers qui pourraient entraîner de graves lésions corporelles ou la mort. Tous les messages de sécurité suivent le symbole d'alerte à la sécurité et comportent les mots « **DANGER** », « **AVERTISSEMENT** » ou « **ATTENTION** ».

 **DANGER** 

Le mot « danger » signifie que le fait de ne pas tenir compte de l'énoncé de sécurité peut entraîner une blessure grave ou la mort.

 **AVERTISSEMENT** 

Le mot « avertissement » signifie que le fait de ne pas tenir compte de l'énoncé de sécurité peut entraîner des dommages importants au produit, une lésion corporelle grave ou la mort.

 **ATTENTION** 

Le mot « attention » signifie que le fait de ne pas tenir compte de l'énoncé de sécurité peut entraîner une lésion corporelle mineure ou modérée, ou encore des dommages au produit ou à la propriété.

Pour votre sécurité, lisez toutes les instructions avec soin avant de faire fonctionner l'appareil.

Sécurité générale

**DANGER**

Lors de l'utilisation d'un électroménager électrique, vous devriez toujours prendre des précautions de base pour réduire les risques d'incendie, de décharge électrique et de lésion corporelle.

**AVERTISSEMENT**

Pour réduire les risques d'incendie, de décharge électrique ou de lésion corporelle, débranchez l'appareil ou coupez l'alimentation électrique avant de procéder à son entretien.

**ATTENTION**

Cet appareil utilise un fluide réfrigérant inflammable! Pour réduire les risques de fuite lors de sa manutention, de son déplacement ou de son utilisation, assurez-vous d'éviter d'endommager les tubes réfrigérants.

- ▶ N'utilisez cet appareil que de la façon décrite dans le présent manuel. Toute autre utilisation non recommandée peut causer un incendie, une décharge électrique ou une lésion corporelle.
- ▶ Cet appareil n'est pas conçu pour être utilisé par de jeunes enfants ou des personnes handicapées, à moins qu'un adulte responsable les surveille de près pour veiller à ce qu'ils l'utilisent en toute sécurité.
- ▶ Il est important que les jeunes enfants fassent l'objet d'une surveillance étroite pour veiller à ce qu'ils ne jouent jamais avec l'appareil.
- ▶ Pour vous protéger contre les risques de décharge électrique, n'IMMERGEZ JAMAIS l'appareil, le câble ou la prise électrique dans l'eau et ne les vaporisez pas avec des liquides.

Consignes de sécurité

ZONE UNIQUE ET DOUBLE

Pour votre sécurité, lisez toutes les instructions avec soin avant de faire fonctionner l'appareil.

- ▶ Débranchez l'appareil de la prise de courant lorsque vous ne l'utilisez pas, lorsque vous le déplacez et avant de le nettoyer.
- ▶ Pour débrancher l'appareil, serrez fermement la fiche et retirez-la de la prise murale. Ne débranchez jamais l'appareil en tirant sur le câble.
- ▶ Ne faites jamais fonctionner l'appareil en présence de matières explosives ou d'émanations inflammables.
- ▶ Ne placez jamais l'appareil ou l'une de ses pièces près d'une flamme nue ou d'un appareil de cuisson ou de chauffage.
- ▶ Ne faites jamais fonctionner l'appareil si le câble ou la fiche sont endommagés, si le produit est défectueux, s'il est tombé sur le sol ou s'il est endommagé d'une quelconque manière.
- ▶ Il peut être dangereux d'utiliser des accessoires que le fabricant ne recommande pas.
- ▶ Ne faites jamais fonctionner l'appareil si son boîtier est enlevé ou endommagé.
- ▶ Toute fiche branchée dans une prise secteur (prise murale) instable peut présenter un risque de surchauffe et causer la déformation de la fiche. Communiquez avec un électricien qualifié pour procéder au remplacement de toute prise instable ou endommagée.
- ▶ Placez l'appareil à un endroit où il est à l'abri de la lumière directe du soleil et de sources de chaleur (cuisinière, chauffeferette, radiateur, etc.).



AVERTISSEMENT



Avertissement Prop. 65 pour les résidents de la Californie: ce produit peut contenir des produits chimiques reconnus par l'état de la Californie comme pouvant causer le cancer, des anomalies congénitales ou d'autres troubles de la reproduction.

- ▶ Cet appareil est exempt de CFC et de HFC, et contient de faibles quantités d'isobutane (R600a), un agent de refroidissement respectueux de l'environnement.
- ▶ Vous devez vous assurer que le circuit de réfrigération n'est pas endommagé lors de l'installation de l'appareil. Toutefois, s'il est endommagé ultérieurement, évitez toute source de feu nu ou de chaleur. La pièce dans laquelle se trouve l'appareil doit être adéquatement aérée, en conformité avec les codes en vigueur de votre localité, province ou État.
- ▶ N'utilisez jamais un appareil dont le circuit est endommagé.

Pour votre sécurité, lisez toutes les instructions avec soin avant de faire fonctionner l'appareil.

- ▶ Assurez-vous que les orifices d'aération de l'appareil et les événements se trouvant à proximité de celui-ci ne sont jamais couverts ou bloqués.
- ▶ Nous n'assumons aucune responsabilité pour tout dommage causé par une mauvaise utilisation de l'appareil ou par des réparations effectuées par une personne non qualifiée. Si l'un ou l'autre de ces cas se présente, la garantie ne s'appliquera pas et nous n'assumerons aucune responsabilité.



- ▶ Ne tentez jamais de réparer ou de remplacer une pièce de l'appareil à moins qu'il soit expressément recommandé de le faire dans le présent manuel. Tous les travaux d'entretien doivent être effectués par un technicien qualifié.
- ▶ Remettez tous les panneaux d'accès en place avant de faire fonctionner l'appareil.
- ▶ Deux personnes ou plus sont requises pour déplacer et pour installer l'appareil. Le non-respect de cette recommandation peut entraîner une blessure au dos ou d'autres lésions.
- ▶ Ne nettoyez jamais des pièces de l'appareil avec un liquide inflammable. Les vapeurs de ce type de produit peuvent présenter un risque d'incendie ou d'explosion. N'utilisez et n'entrez jamais d'essence ou d'autres liquides ou vapeurs inflammables près de cet appareil ou de tout autre appareil. Ces vapeurs peuvent présenter un risque d'incendie ou d'explosion.
- ▶ Ne branchez ou ne débranchez jamais la fiche électrique si vos mains sont mouillées.
- ▶ Il est recommandé d'utiliser un circuit dédié servant exclusivement à cet appareil. Utilisez des prises qui ne peuvent pas être mises hors tension par un interrupteur à bascule ou à tirage.



Consignes de sécurité

ZONE UNIQUE ET DOUBLE

Pour votre sécurité, lisez toutes les instructions avec soin avant de faire fonctionner l'appareil.

Conservez les présentes instructions

Si vous éprouvez des difficultés, consultez le guide de dépannage se trouvant à l'arrière du présent manuel. Il dresse une liste de problèmes de fonctionnement mineurs auxquels vous pouvez remédier vous-même.

Comment mettre votre vieil appareil au rebut

Mettez l'emballage de votre appareil au rebut de façon adéquate. Le matériel de réfrigération doit être mis au rebut convenablement et d'une manière respectueuse de l'environnement. Cela s'applique à vos vieux électroménagers et à votre nouvel appareil à la fin de sa vie utile.

 **AVERTISSEMENT** 

Pour vous assurer de rendre inutilisables vos appareils vieux et usés avant de les mettre au rebut, enlevez la fiche, coupez le câble d'alimentation et retirez ou détruisez toute languette à pression ou tout capuchon à enclenchement. Il sera ainsi difficile que des enfants s'enferment dans l'appareil en jouant (risque d'asphyxie) ou mettent leur vie en danger de toute autre manière.

- ▶ Risque de piégeage des enfants. Avant de jeter votre vieux réfrigérateur ou congélateur, retirez les portes et laissez les étagères en place afin que les enfants ne puissent pas facilement grimper à l'intérieur.
- ▶ Cet appareil ne doit pas être mis au rebut avec les ordures ménagères normales.
- ▶ Le circuit de refroidissement, particulièrement l'échangeur thermique se trouvant à l'arrière et sous l'appareil, ne doit pas être endommagé.
- ▶ Le symbole sur le produit ou sur son emballage indique que cet appareil ne doit pas être traité comme une ordure ménagère normale, mais que vous devez l'apporter à un centre de recyclage pour appareils électroniques et électriques. En mettant convenablement au rebut ce produit, vous contribuez à la protection de l'environnement. La mise au rebut incorrecte de l'appareil met en péril l'environnement et présente des risques sanitaires. De plus amples renseignements sur le recyclage du produit sont disponibles à votre mairie locale ou au service de récupération de déchets de votre région.

Pour votre sécurité, lisez toutes les instructions avec soin avant de faire fonctionner l'appareil.

Avant d'utiliser votre appareil

- ▶ Enlevez tout l'emballage intérieur et extérieur.
- ▶ Avant de brancher l'appareil à l'alimentation électrique, laissez-le en position verticale pendant environ deux heures. Cela réduira la possibilité que le système de refroidissement fonctionne mal en raison de sa manutention pendant le transport.
- ▶ Nettoyez la surface intérieure de l'appareil avec de l'eau chaude et un chiffon doux.

Installation de votre appareil



- ▶ L'appareil est conçu pour être encastré ou autoportant.
- ▶ Installez votre appareil sur un plancher qui est assez solide pour supporter son poids lorsqu'il est rempli au maximum de sa capacité. Mettez votre appareil de niveau en ajustant les quatre pattes.
- ▶ Placez l'appareil à un endroit où il est à l'abri de la lumière directe du soleil et de sources de chaleur (cuisinière, chauffeferette, radiateur, etc.). La lumière directe du soleil peut altérer le revêtement acrylique et les sources de chaleur peuvent augmenter la consommation d'électricité. Les températures ambiantes extrêmement froides peuvent aussi nuire au bon fonctionnement de l'appareil.
- ▶ N'installez jamais l'appareil dans un endroit humide.
- ▶ Branchez l'appareil dans une prise électrique dédiée et facile d'accès.
- ▶ Pour toute question concernant l'alimentation ou le raccordement électrique, adressez-vous à un électricien qualifié ou à un centre de service autorisé.

Consignes de sécurité

ZONE UNIQUE ET DOUBLE

Pour votre sécurité, lisez toutes les instructions avec soin avant de faire fonctionner l'appareil.

- ▶ L'évent se trouvant à l'avant de l'appareil ne doit jamais être couvert ou bloqué.
- ▶ Le raccordement électrique de l'appareil doit être fait en conformité avec les codes de l'électricité de votre région ainsi que de votre état ou province.
- ▶ Deux personnes ou plus sont requises pour déplacer et installer le refroidisseur de boissons. Le non-respect de cette recommandation peut entraîner une blessure au dos ou d'autres blessures.
- ▶ Le rendement du refroidisseur peut diminuer quelque peu si la circulation d'air est restreinte parce que l'appareil est rempli au maximum de sa capacité.
- ▶ Installez le refroidisseur de boissons dans une zone bien ventilée où la température ambiante est supérieure à 10°C et inférieure à 43°C. Pour les modèles extérieurs, assurez-vous que la plage de température ambiante est comprise entre 10°C et 46°C.
- ▶ L'appareil est destiné à être utilisé dans des applications domestiques et similaires telles que la restauration et des applications similaires non commerciales.

Attention

- ▶ Ne surchargez jamais votre appareil.
- ▶ N'ouvrez pas les tiroirs à moins que cela soit nécessaire.
- ▶ Ne couvrez jamais les tiroirs avec du papier d'aluminium ou tout autre matériau d'étagère qui pourrait empêcher la circulation de l'air.
- ▶ Si l'appareil est vide pendant une longue période, nous vous suggérons de le débrancher et, après l'avoir bien nettoyé, de laisser les tiroirs entrouverts pour permettre la libre circulation de l'air à l'intérieur afin de prévenir la formation de condensation, de moisissure ou d'odeurs.



AVERTISSEMENT



Les tiroirs du réfrigérateur sont lourds et peuvent présenter un risque de basculement, surtout lorsque les portes sont ouvertes. Ces appareils doivent être fixés avec des supports anti-basculement pour éviter tout basculement vers l'avant. Veuillez suivre les instructions d'installation pour savoir comment sécuriser les tiroirs du réfrigérateur.

Pour votre sécurité, lisez toutes les instructions avec soin avant de faire fonctionner l'appareil.

Raccordement électrique

Assurez-vous que la tension indiquée sur le produit correspond à la tension d'alimentation.



Pour assurer votre sécurité, cet appareil doit être dûment mis à la terre. Pour minimiser les risques de décharge électrique, le câble d'alimentation de cet appareil est muni d'une fiche à trois broches qui s'adapte aux prises murales standards à trois bornes.

Ne coupez pas et n'enlevez pas la troisième broche (mise à la terre) du cordon d'alimentation fourni, indépendamment des circonstances. Pour votre sécurité personnelle, cet appareil doit être dûment mis à la terre.

Faites vérifier la prise murale et le circuit par un électricien qualifié pour vous assurer de la mise à la terre adéquate de l'appareil. Lorsque la prise murale ne compte que deux bornes, il est de votre responsabilité et de votre obligation de la faire remplacer par une prise murale à trois bornes dûment mise à la terre.

Pour prévenir toute blessure accidentelle, le câble doit être fixé à l'arrière de l'appareil, ne pas être exposé et ne pas pendre librement.

L'appareil doit toujours être branché dans une prise électrique individuelle et dédiée dont la tension nominale correspond à la tension indiquée sur la plaque signalétique de l'appareil. Cela permet d'obtenir un rendement optimal et prévient la surcharge des circuits de câblage, ce qui peut causer un risque d'incendie en cas de surchauffe. Ne débranchez jamais l'appareil en tirant sur le câble. Saisissez toujours fermement la fiche et retirez-le de la prise. Réparez ou remplacez immédiatement tout câble d'alimentation effiloché ou endommagé. N'utilisez jamais un câble fissuré ou endommagé par de l'abrasion. Lorsque vous déplacez l'appareil, prenez soin de ne pas endommager le câble d'alimentation.

N'utilisez jamais votre appareil avec une rallonge électrique, à moins qu'elle ait été examinée et mise à l'essai par un technicien qualifié ou par un agent de service. La rallonge électrique doit respecter la norme UL/CUL, doit être munie de trois broches, dont une de mise à la terre, et doit avoir une capacité nominale de 115 volts et d'au moins 10 ampères.

Introduction

Merci de vous être procuré un refroidisseur de boissons Zephyr.

Zephyr se spécialise dans l'élaboration de produits de qualité supérieure dotés de fonctionnalités distinctives qui améliorent votre style de vie. Veuillez visiter le www.zephyronline.com pour obtenir de plus amples renseignements sur votre appareil et sur d'autres produits Zephyr.

Ce manuel contient des renseignements importants relatifs à l'installation, à l'utilisation et à l'entretien adéquats de votre refroidisseur de boissons. Suivez les instructions de ce manuel pour maximiser le rendement et l'efficacité de votre appareil.

Pour vos dossiers

Veuillez noter le numéro de modèle et le numéro de série ci-dessous pour référence future. Les deux numéros se trouvent sur l'étiquette signalétique à l'arrière de votre appareil et à l'intérieur de l'appareil vers le bas de l'armoire et sont nécessaires pour obtenir le service de garantie. Vous pouvez également agraffer votre reçu à ce manuel car il s'agit de la preuve de votre achat et peut également être nécessaire pour le service sous garantie.

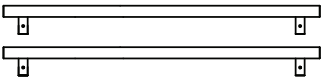

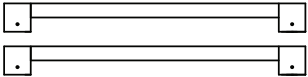





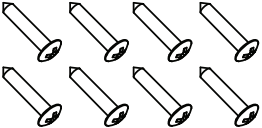

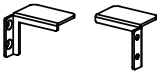


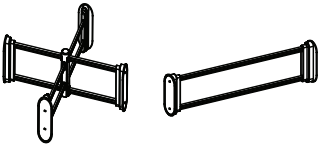
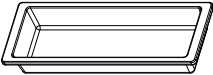
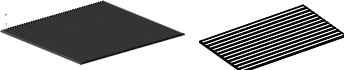
Numéro de modèle :

Numéro de série :

Date d'achat :

Pour que nous puissions vous offrir un service optimal, veuillez suivre les instructions suivantes lorsque vous communiquez avec le service à la clientèle de Zephyr :

- ▶ Si vous avez reçu un produit endommagé, communiquez immédiatement avec le marchand ou détaillant qui vous a vendu le produit.
- ▶ Lisez et suivez les instructions contenues dans le présent manuel pour bien installer et utiliser votre refroidisseur de boissons, et en effectuer l'entretien.
- ▶ Lisez la section sur le dépannage pour diagnostiquer et pour solutionner les problèmes les plus fréquents.
- ▶ Visitez-nous en ligne à <http://www.zephyronline.com> pour télécharger des guides sur nos produits, des ressources de dépannage supplémentaires et des informations actualisées.
- ▶ Si vous avez besoin d'un service de garantie, nos sympathiques représentants du service clientèle sont disponibles sur notre site Web à l'adresse <http://zephyronline.com/contact>.

Quantité	Partie
	Poignées de tiroir contemporaines (PRRD24C1AS uniquement)
	Vis de poignée de rechange (M6*6) (PRRD24C1AS uniquement)
	Poignées de tiroir pro (PRRD24C2AS et PRRD24C2AS-OD uniquement)
	Vis de poignée de rechange (M6*10) (PRRD24C2AS et PRRD24C2AS-OD)
	Vis de poignée (exclut PRRD24C2AP)
	Vis de poignée PRHAN-Cxxx (M4*20) (PRRD24C2AP uniquement)
	Rondelles plates PRHAN-Cxxx (Φ4,3*Φ8*0,5, M4) (PRRD24C2AP uniquement)
	Rondelles élastiques PRHAN-Cxxx (Φ4*1.1, M4) (PRRD24C2AP uniquement)
	Vis autotaraudeuses (ST4*45) (PRRD24C2AP uniquement)
	Clé Allen M3 (clé hexagonale) (exclut PRRD24C2AP)
	Support anti-basculement
	Ruban adhésif double face
	Vis autotaraudeuses (ST4*12)
	Séparateurs de tiroirs supérieurs et inférieurs
	Plateau du tiroir supérieur
	Tapis de tiroir supérieur et inférieur en silicone (exclut PRRD24C1AS)

Spécifications du produit

**RÉFRIGÉRATEUR
TIROIRS**

ZONE UNIQUE ET DOUBLE

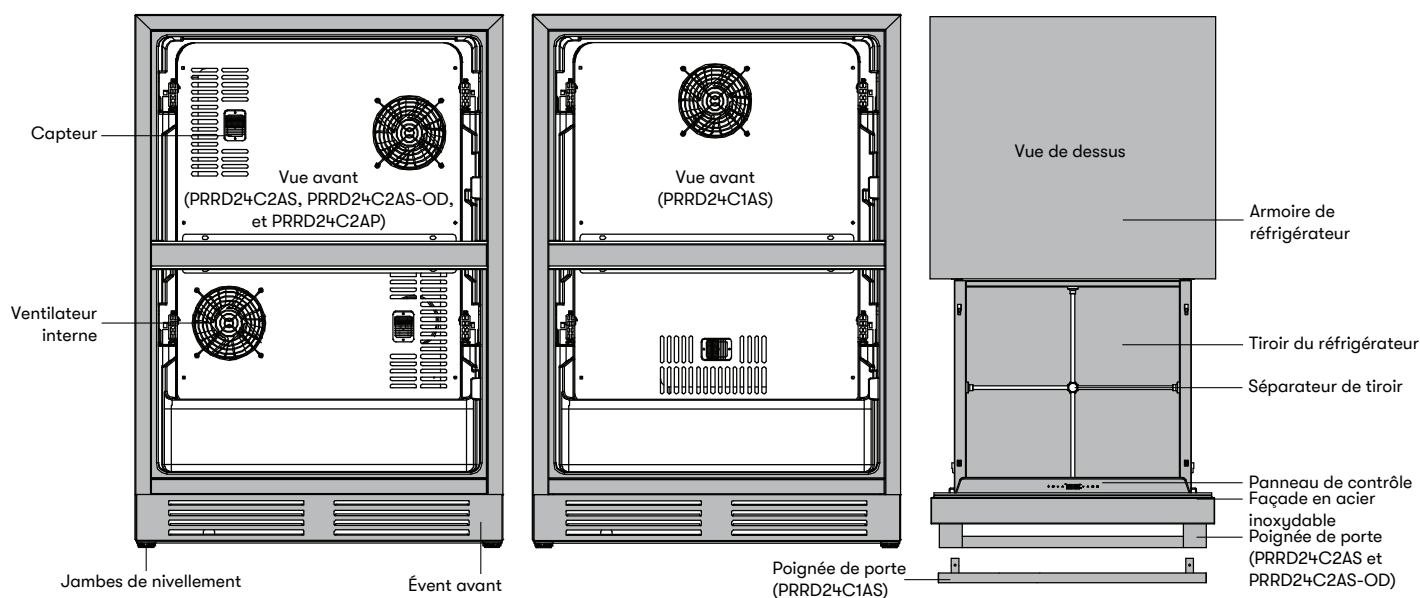
Informations sur le produit

Cet appareil doit être branché à une prise électrique standard mise à la terre de 115/120 volts, c.a. de ~60 Hz.

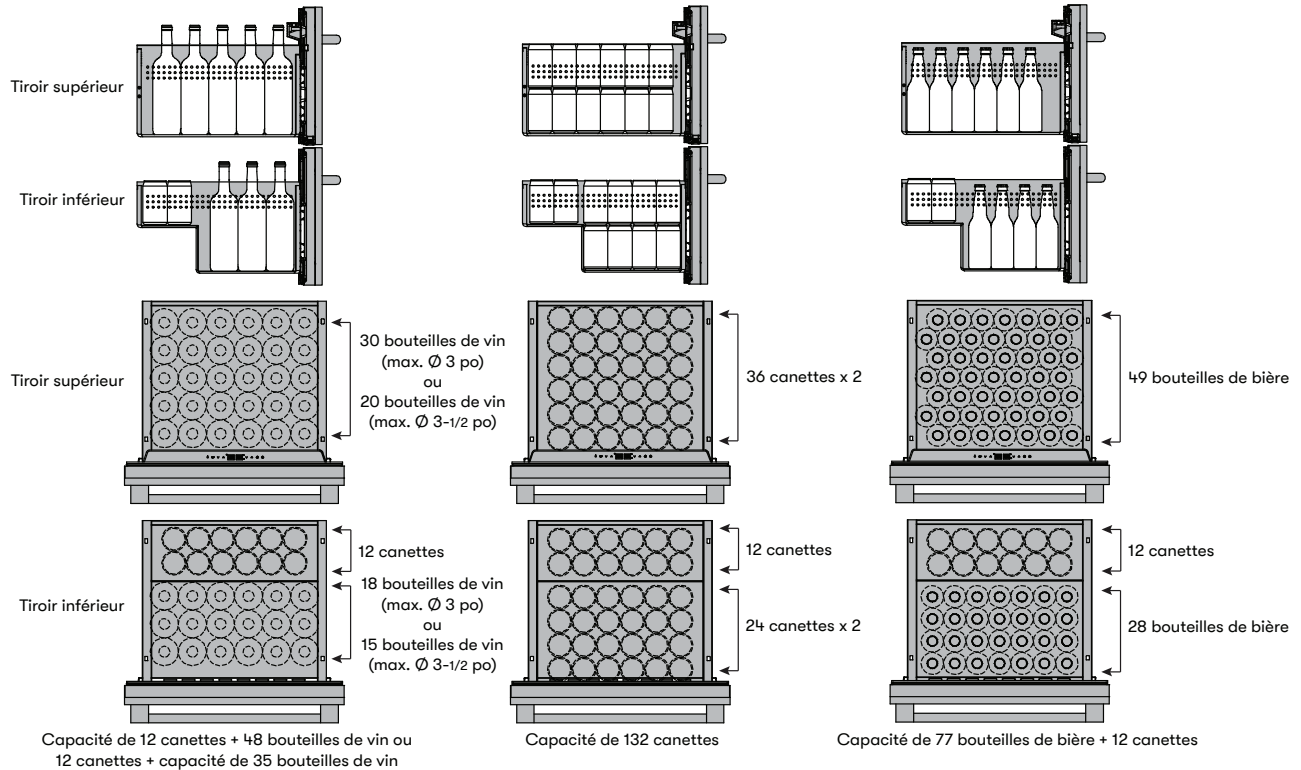
DESCRIPTION DU PRODUIT	Tiroirs de réfrigérateur à zone unique Presrv™ Tiroirs de réfrigérateur à double zone Presrv™ Tiroirs de réfrigérateur à double zone Presrv™ prêts pour les panneaux Tiroirs de réfrigérateur extérieur à double zone Presrv™	
MODÈLE ET POIDS BRUT (lb)	PRRD24C1AS: 150lb PRRD24C2AS: 152lb	PRRD24C2AP: 134lb PRRD24C2AS-OD: 148lb
TENSION/FRÉQUENCE	AC 115/60Hz	
INTENSITÉ DE COURANT	1.5A	
COULEUR	PRRD24C1AS: Armoire noire avec tiroirs blancs PRRD24C2AS: Armoire noire avec tiroirs en acier inoxydable PRRD24C2AP: Armoire noire avec tiroirs en acier inoxydable PRRD24C2AS-OD: Armoire en acier inoxydable avec tiroirs en acier inoxydable	
CAPACITÉ D'ENTREPOSAGE	PRRD24C1AS: 5.4 pied cube PRRD24C2AS: 5.1 pied cube	PRRD24C2AP: 5.1 pied cube PRRD24C2AS-OD: 5.1 pied cube
RÉFRIGÉRANT	R600a	
PLAGE DE TEMPÉRATURES	33°F - 65°F	
DIMENSIONS (HxLxP)	33-7/8 po X 23-7/8 po X 24 po	
CAPACITÉ DE POIDS (lb)	66lb par tiroir	

* La capacité de stockage est basée sur 12 oz standard. boîtes et 750 ml. Bouteilles de vin de style bordelais.

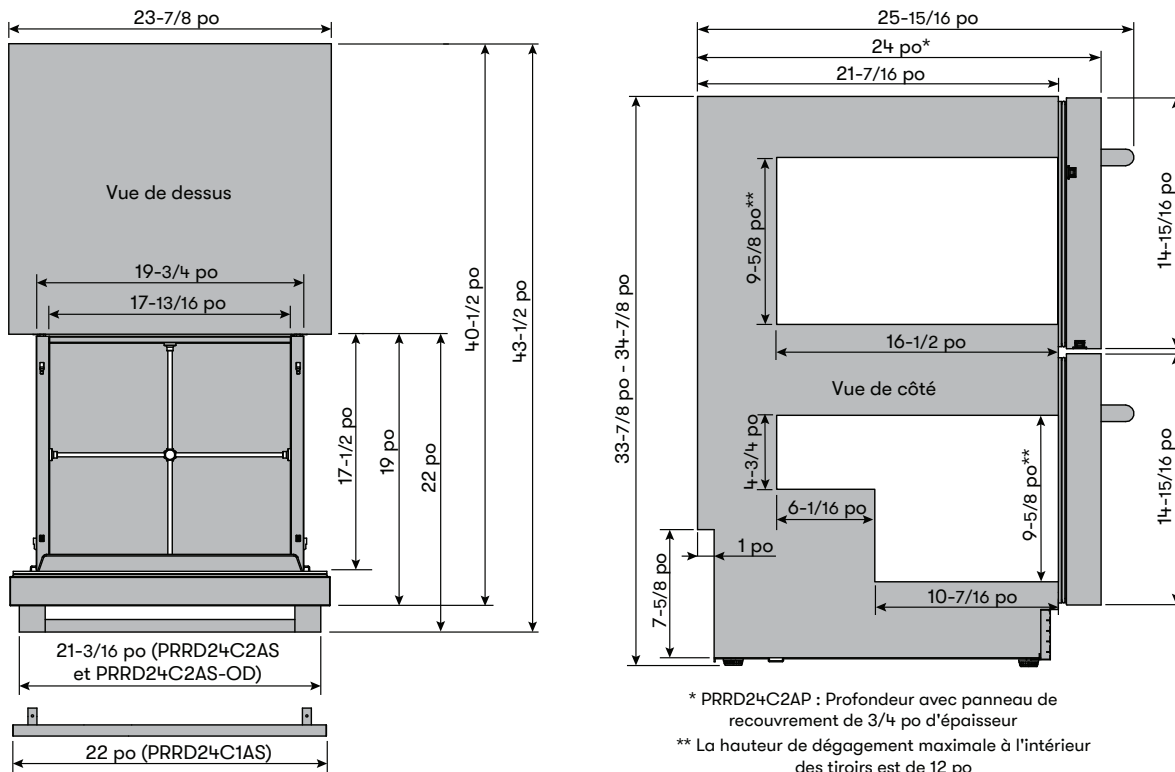
Identification des pièces



Idées de stockage interne



Dimensions

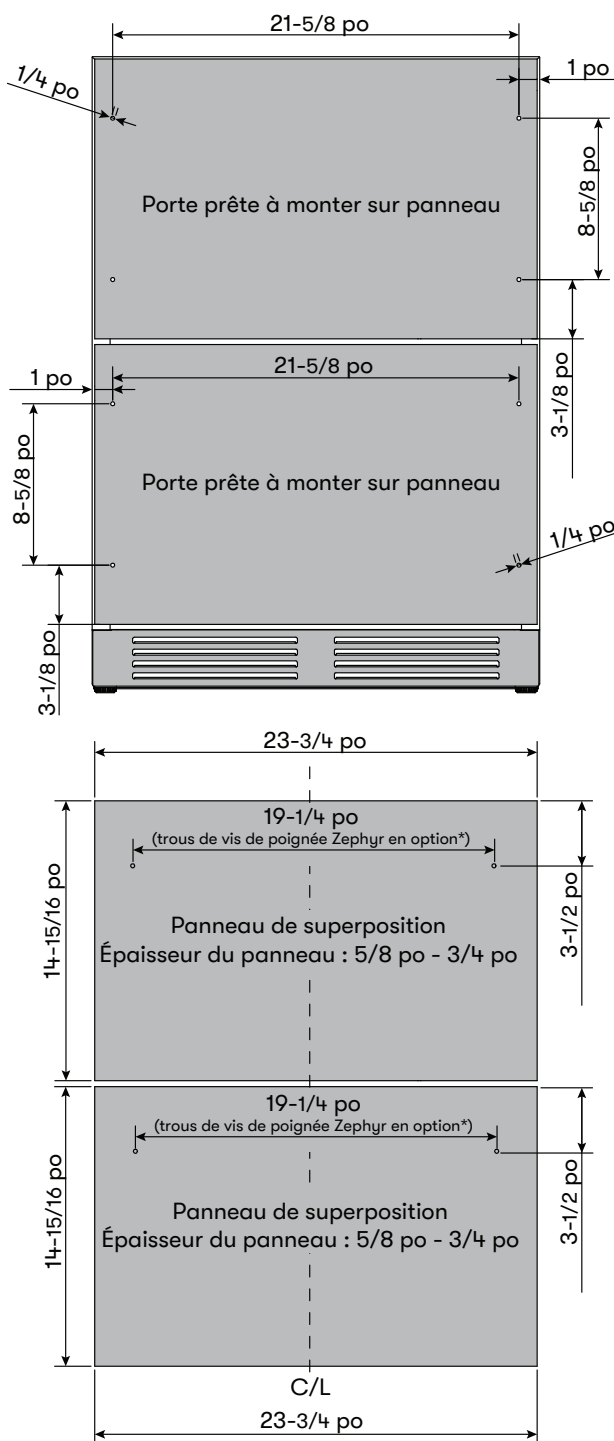


Spécifications du produit

ZONE UNIQUE ET DOUBLE

Dimensions

Les dimensions ci-dessous concernent spécifiquement le panneau de recouvrement en bois du modèle PRRD24C2AP.

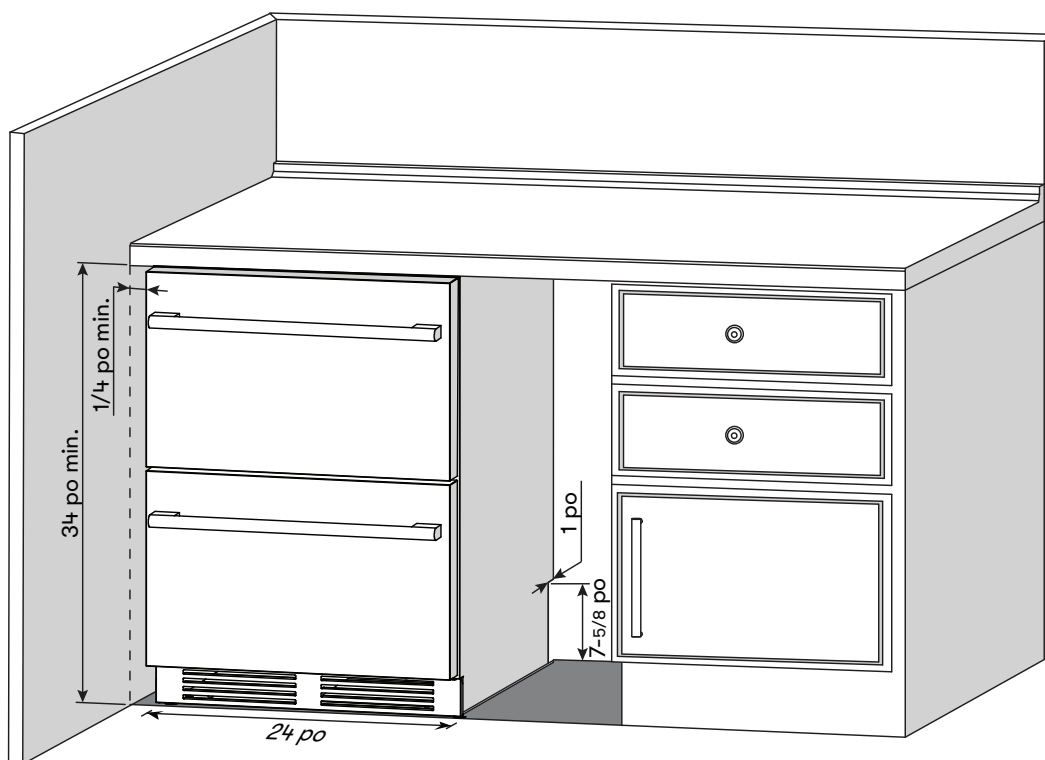


* Les emplacements des trous sont compatibles avec les modèles d'accessoires de poignée Zephyr PRHAN-Cxxx

Espace libre requis pour l'installation

Lors de l'installation du refroidisseur de boissons sous un comptoir, veuillez respecter les espaces libres recommandés ci-dessous.

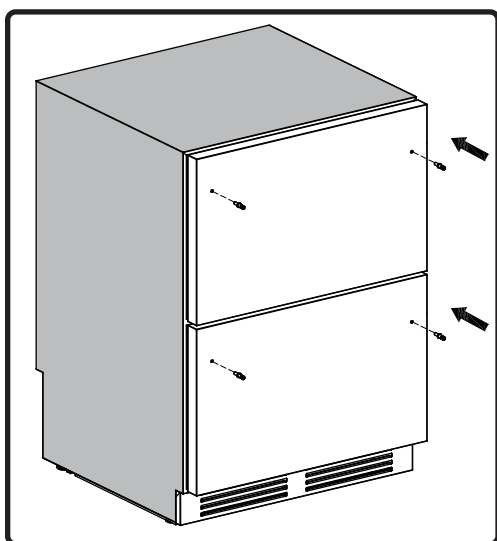
- ▶ La section inférieure du dossier encastrée a une hauteur de 7-5/8 po et une profondeur de 1 po pour accueillir la prise électrique.
- ▶ Une installation à côté d'un mur nécessitera un dégagement de tiroirs d'au moins 1/4 po.
- ▶ L'armoire doit prévoir au moins 24 po pour la largeur et 34 po pour la hauteur pour accueillir les tiroirs du réfrigérateur.
- ▶ Le câble d'alimentation est situé à l'arrière à droite de l'unité et a une longueur de 78-3/4 po pour s'adapter à plusieurs emplacements de prise.
- ▶ Une fois que vous êtes prêt à installer l'appareil, vous devez ajuster les pieds pour mettre à niveau les tiroirs du réfrigérateur. Un tiroir mal mis à niveau pourrait ne pas se fermer correctement.
- ▶ Ce réfrigérateur peut être entièrement intégré aux armoires et ne nécessite aucun dégagement supplémentaire en plus de ce qui est référencé ci-dessous.
- ▶ L'installation doit permettre de tirer l'unité vers l'avant pour l'entretien, si nécessaire.



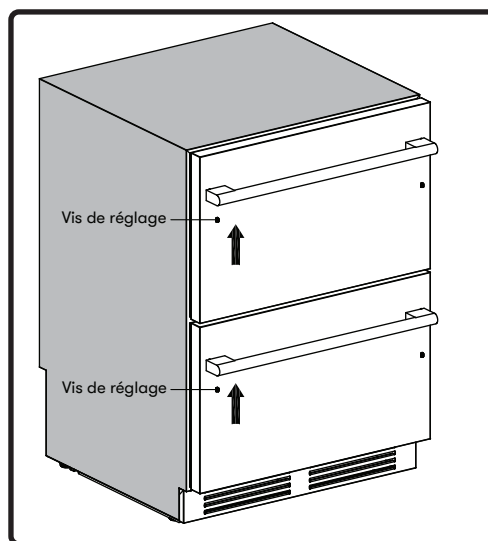
Instructions d'installation

Installation des poignées de tiroir

Les instructions suivantes pour l'installation des poignées de tiroir s'appliquent uniquement aux modèles PRRD24C1AS, PRRD24C2AS, et PRRD24C2AS-OD. Le numéro de pièce des poignées contemporaines par poignée est 50280011 et le numéro de pièce de chaque poignée professionnelle est 50280012.



1. Fixez les (4) vis de poignée sur les tiroirs.



2. Installez les poignées sur les tiroirs. À l'aide de la clé hexagonale, serrez les (2) vis de réglage au bas de chaque panneau.

Installation des poignées de tiroir et du panneau superposé

Les poignées de tiroir ne sont pas incluses avec le modèle prêt pour le panneau, PRRD24C2AP. Vous pouvez choisir vos propres poignées qui correspondent à vos armoires, ou vous pouvez acheter des poignées Zephyr contemporaines ou professionnelles. Les numéros de pièces sont répertoriés ci-dessous.

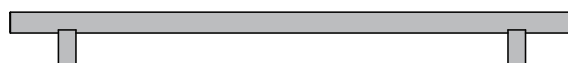
REMARQUES: Ces poignées ne sont pas compatibles avec PRRD24C1AS, PRRD24C2AS, et PRRD24C2AS-OD.

Poignées contemporaines Zephyr Presrv

Partie #: PRHAN-C101 Couleur: Acier inoxydable

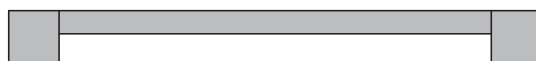
Partie #: PRHAN-C102 Couleur: Or brossé

Partie #: PRHAN-C104 Couleur: Noir mat



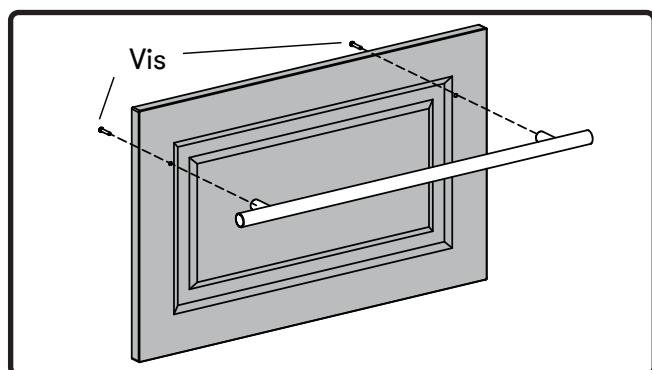
Poignée Zephyr Presrv Pro

Partie #: PRHAN-C001 Couleur: Acier inoxydable

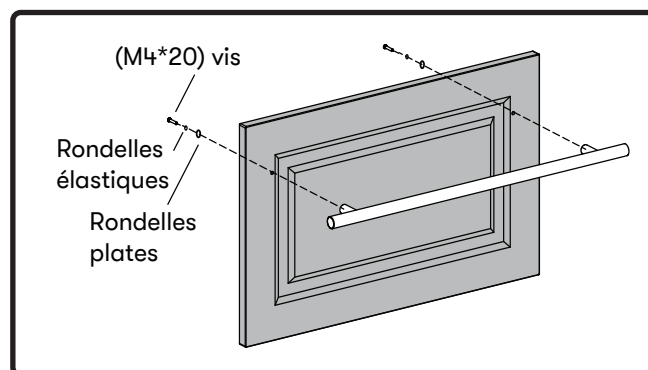


Installation des poignées de tiroir et du panneau superposé

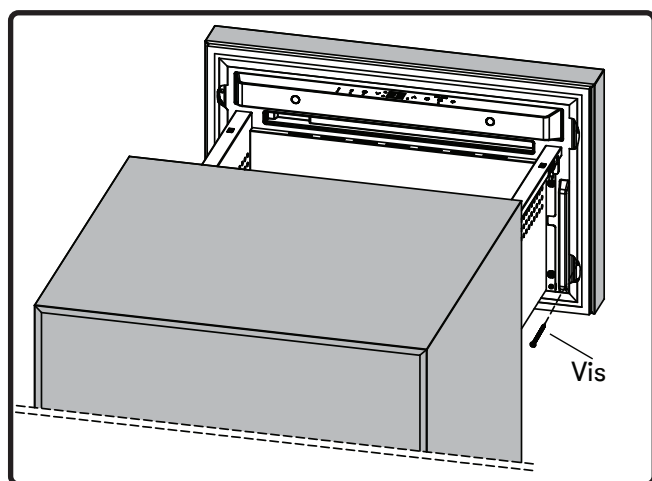
Les instructions suivantes pour l'installation des poignées de tiroir et du panneau superposé s'appliquent uniquement au modèle PRRD24C2AP. Vous pouvez installer votre propre poignée sur le panneau de recouvrement en bois. Prenez soin de mesurer et de percer les trous de vis de la poignée avec précision et de vous procurer les vis appropriées (non incluses), sauf si vous utilisez des poignées accessoires Zephyr PRHAN-Cxxx.



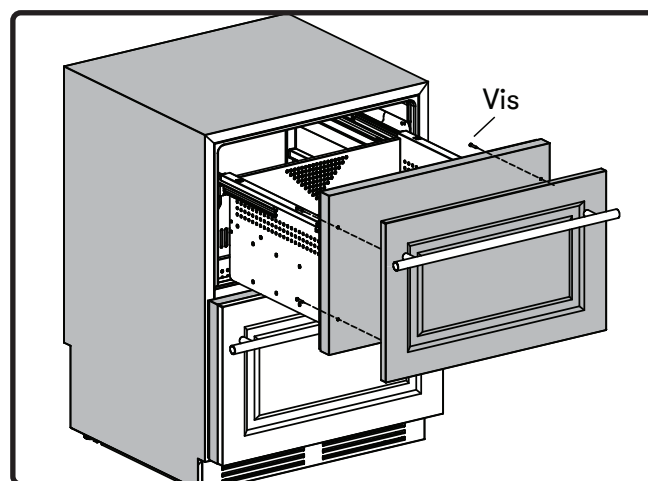
1. **Poignées personnalisées:** Percez (2) trous par panneau de recouvrement pour installer les poignées. Reportez-vous à la page 16 pour les mesures. Installez chacune des poignées sur les panneaux de recouvrement à l'aide de (2) vis.



1. **Poignées Zephyr:** Percez (2) trous lamés par panneau de recouvrement pour installer les poignées. Installez chacune des poignées sur les panneaux de recouvrement à l'aide de (2) vis M4*20, rondelles élastiques et rondelles plates.



2. Retirez le tiroir et écartez le joint de porte pour révéler les trous de vis où (4) vis ST4*45 seront insérées par panneau de recouvrement.

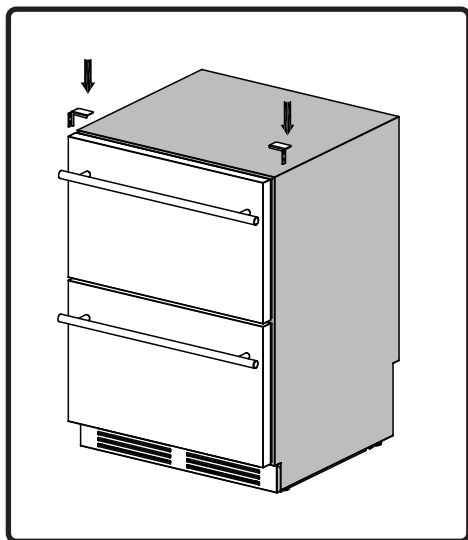


3. Fixez fermement le panneau de recouvrement avec la porte du tiroir avec des pinces à barre et vissez (4) vis autotaraudeuses pour chaque panneau de recouvrement. Assurez-vous que le panneau de recouvrement est complètement sécurisé.

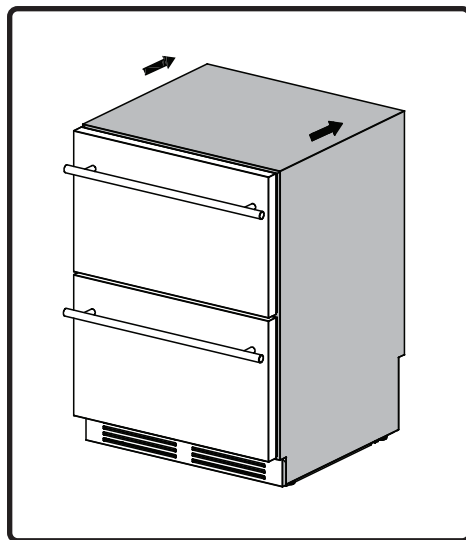
Instructions d'installation

Installation du support anti-basculement

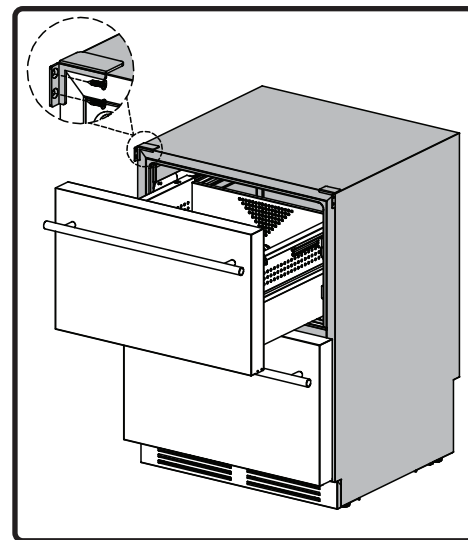
Sous un comptoir



1. Fixez les supports anti-basculement gauche et droit sur les tiroirs du réfrigérateur avec du ruban adhésif 3M.

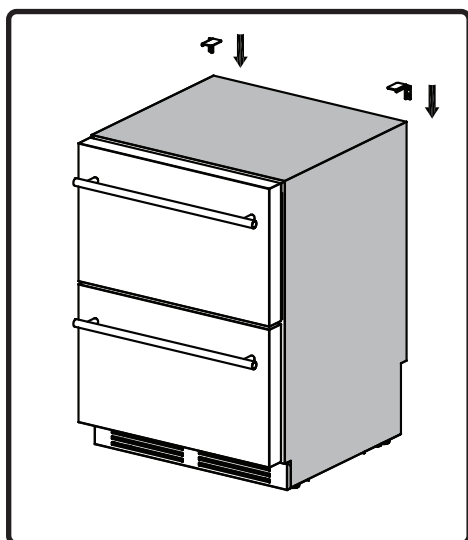


2. Poussez les tiroirs du réfrigérateur contre le mur ou le placard.

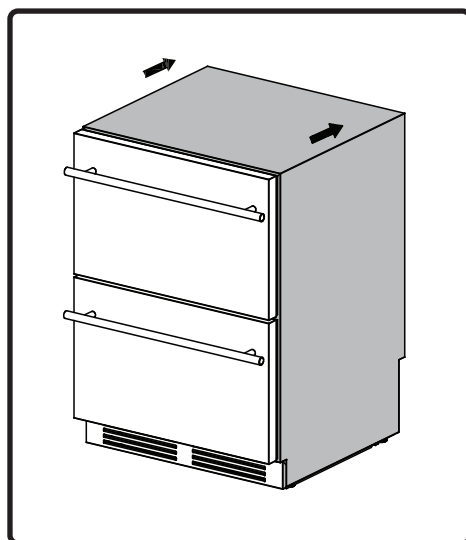


3. Retirez le tiroir supérieur et fixez les supports anti-basculement gauche et droit avec (2) ST4*12 vis chacun.

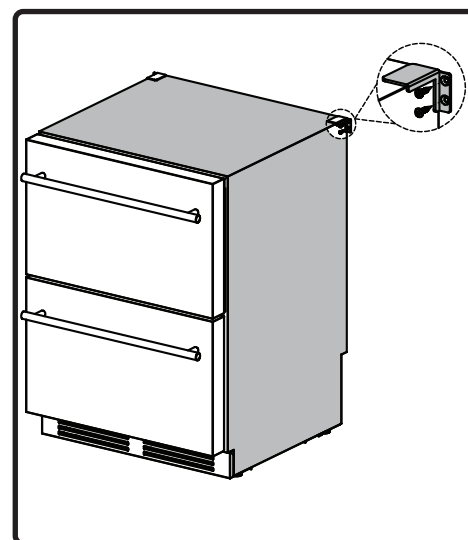
Autonome contre un mur



1. Fixez les supports anti-basculement gauche et droit sur les tiroirs du réfrigérateur avec du ruban adhésif 3M.



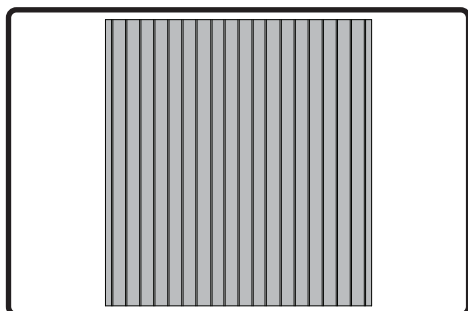
2. Poussez les tiroirs du réfrigérateur contre le mur du fond.



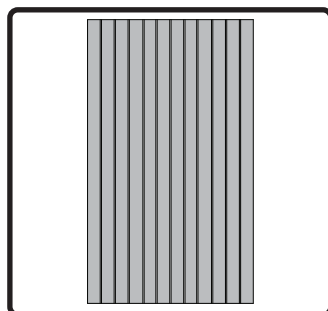
3. Fixez les supports anti-basculement gauche et droit avec (2) ST4*12 vis chacun à la paroi arrière à l'arrière du réfrigérateur.

Installation des tapis en silicone et du plateau de tiroir

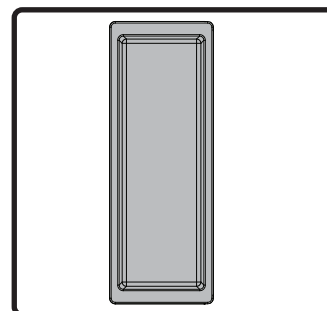
Placez les tapis en silicone supérieur et inférieur et le plateau de tiroir transparent dans leurs zones respectives dans les tiroirs du réfrigérateur. Avec les tapis en silicone, votre contenu risque moins de glisser et facilite le nettoyage. Les tapis en silicone ne sont pas disponibles pour PRRD24C1AS. Les numéros de pièces de rechange pour les tapis en silicone sont 54290001 (supérieur) et 54290002 (inférieur) et 56130056 pour le plateau de tiroir transparent.



Tapis supérieur en silicone



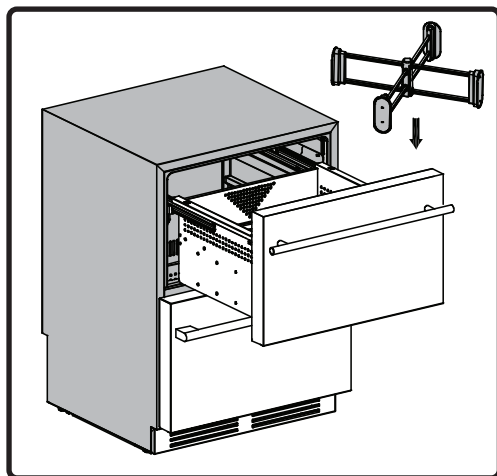
Tapis inférieur en silicone



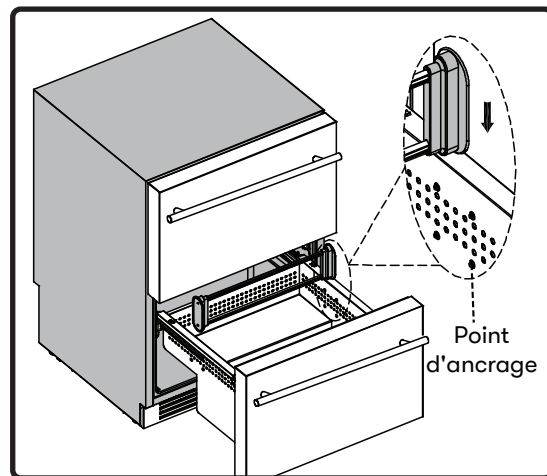
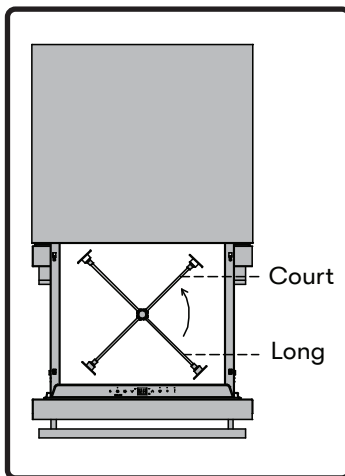
Plateau de tiroir transparent

Installation des séparateurs de tiroir supérieur et inférieur

Les séparateurs de tiroirs supérieur et inférieur vous permettent d'organiser plus facilement votre contenu. Le séparateur de tiroir supérieur peut glisser vers la gauche et la droite, vers l'avant et vers l'arrière, pour plusieurs options d'agencement.



Tiroir supérieur



Tiroir inférieur

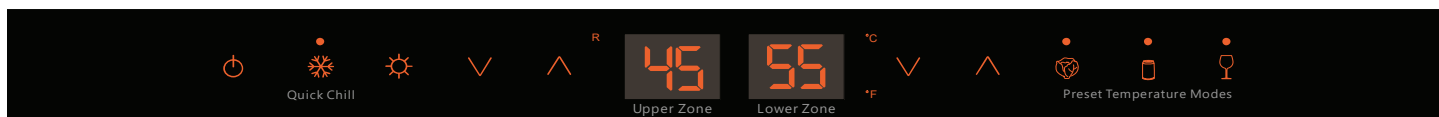
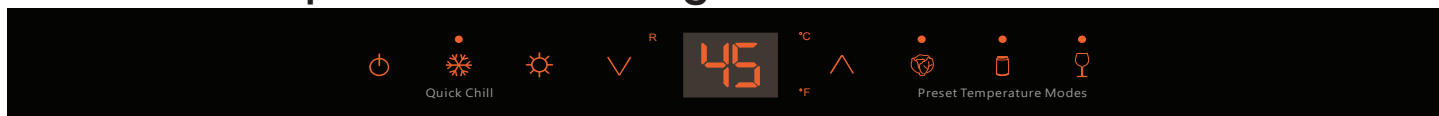
1. Tirez le tiroir supérieur et maintenez le séparateur du tiroir supérieur à un angle de 45 degrés comme illustré ci-dessus.
2. Placez le séparateur à l'intérieur du tiroir supérieur et faites pivoter le séparateur de 45 degrés vers la gauche jusqu'à ce qu'il soit correctement aligné.
1. Tirez le tiroir inférieur et placez le séparateur au milieu du tiroir.
2. Alignez le tiroir avec les points d'ancrage et poussez les extrémités vers le bas.

Fonctionnement de votre appareil

ZONE UNIQUE ET DOUBLE

Si l'appareil est débranché, perdu de courant ou éteint, vous devez attendre 3 à 5 minutes avant de redémarrer l'appareil. Si vous tentez de redémarrer avant ce délai, l'appareil risque de ne pas démarrer et de ne pas conserver la dernière température réglée.

Utilisation du panneau de configuration



Les tiroirs du réfrigérateur ont une plage de température de 33 °F à 65 °F.

Bouton d'alimentation

- Appuyez sur ce bouton et maintenez-le enfoncé pendant trois secondes pour allumer ou éteindre votre appareil. Lorsque l'appareil est allumé, le voyant R « Compresseur en marche » peut s'allumer pour indiquer que le compresseur interne est actif. Après la mise hors tension, tous les voyants des boutons resteront éteints. Une fois qu'un bouton est touché, le bouton d'alimentation s'allume pendant cinq secondes.

Refroidissement rapide

- Appuyez sur ce bouton pour activer le réglage Quick Chill. L'indicateur LED clignotera 5 fois avant de régler la température à 33 °F. Après 24 heures ou si le bouton Quick Chill est enfoncé à nouveau, l'appareil reviendra au réglage de température avant d'entrer dans Quick Chill. REMARQUE : Pour les modèles à double zone, appuyer une fois sur Quick Chill activera la zone supérieure et l'affichage de la zone supérieure clignotera 5 fois avant de régler la température à 33 °F. Appuyez à nouveau sur le bouton Quick Chill pendant que l'écran clignote pour activer Quick Chill dans la zone inférieure.

Lumière intérieure

- Appuyez sur ce bouton pour parcourir les différents paramètres d'éclairage interne. Les lumières, la fenêtre d'affichage et les couleurs des boutons seront affectés. Il existe trois réglages de lumière : Cloud White, Deep Blue et Amber. Pour éteindre et allumer les lumières, maintenez enfoncé le bouton Éclairage intérieur pendant trois secondes.

Diminuer la température

- Appuyez sur ce bouton pour diminuer la température par incréments d'un (1) degré. 33 °F est la température la plus basse disponible sur cet appareil.

Augmenter la température

- Appuyez sur ce bouton pour augmenter la température par incréments d'un (1) degré. 65 °F est la température la plus élevée disponible sur cet appareil.

Sélecteur °F/°C

Maintenez les boutons d'augmentation et de diminution de la température enfoncés simultanément pendant trois secondes pour changer la température d'affichage.

Modes de température prédéfinis

Appuyer sur ces boutons activera leur réglage de température prédéfini. Leur indicateur LED respectif s'allumera et la fenêtre d'affichage clignotera 5 fois avant que la température ne se règle.

La température par défaut pour chaque température prédéfinie peut être ajustée en appuyant sur les boutons d'augmentation ou de diminution de la température pendant que l'écran clignote. La température par défaut et la plage de température réglable sont répertoriées ci-dessous pour chaque mode.

Si le mode de température prédéfinie est activé, appuyer sur les boutons d'augmentation ou de diminution de la température quittera le mode de température prédéfinie, permettant un contrôle manuel de la température.

REMARQUE: Pour les modèles à deux zones, appuyer une fois sur l'un des modes de température prédéfinis activera la zone supérieure et l'affichage de la zone supérieure clignotera 5 fois avant que la température ne se règle. Appuyer à nouveau sur l'un des modes de température prédéfinis pendant que l'écran clignote activera ce mode pour la zone inférieure.



Mode de production

- ▶ Température par défaut : 39 °F
- ▶ Plage de température réglable : 36 °F - 41 °F



Mode Boisson

- ▶ Température par défaut : 34 °F
- ▶ Plage de température réglable : 34 °F - 40 °F



Mode vin

- ▶ Température par défaut : 50 °F
- ▶ Plage de température réglable : 40 °F - 65 °F

REMARQUES: Les tiroirs du réfrigérateur sont équipés d'une fonction mémoire. En cas de coupure de courant soudaine, le réglage précédent sera enregistré et les tiroirs du réfrigérateur reviendront à ce réglage une fois le courant rétabli.

Mode de démonstration

Dans ce mode, le compresseur et les ventilateurs ne s'allument jamais mais toutes les autres fonctions restent activées. En mode de démonstration, le voyant « R » clignote lentement pour indiquer qu'il est en mode de démonstration.

Pour activer ou désactiver le mode Démonstration, maintenez enfoncé le bouton Éclairage intérieur et appuyez deux fois sur le bouton Diminuer la température. Pour les modèles à deux zones, utilisez le bouton de diminution de la température situé sur le côté gauche.

Fonctionnement de votre appareil

ZONE UNIQUE ET DOUBLE

Mode Sabbat

Le mode Sabbat désactive les réponses du système aux activités initiées par l'utilisateur et toutes les fonctions externes, y compris l'éclairage, l'affichage et les alarmes sonores. L'unité maintiendra toujours les températures internes et les points de consigne.

Pour activer ou désactiver le mode Sabbat, appuyez et maintenez l'éclairage intérieur et appuyez deux fois sur le bouton Augmenter la température. Pour les modèles à deux zones, utilisez le bouton d'augmentation de la température du côté gauche. L'éclairage intérieur et l'affichage de commande s'assombriront, à l'exclusion des boutons d'éclairage intérieur et d'augmentation de la température jusqu'à ce que l'utilisateur désactive le mode Sabbat.

REMARQUES: Bien que l'affichage ne soit pas visible, les réglages de température restent actifs et préservent la température interne. Le mode Sabbat restera actif jusqu'à ce qu'il soit désactivé par l'utilisateur.

Alarme d'ouverture de tiroir

Après 3 minutes d'ouverture des tiroirs, une alarme retentira et l'affichage clignotera avec 00.

Alarme de température

Si la température intérieure est supérieure à 73 °F (23 °C), « HI » s'affiche sur le panneau de commande de température et l'alarme de température retentit en continu après une heure. Cela indique que la température intérieure est trop élevée. Si la température intérieure est inférieure à 23 °F (-5 °C), « LO » s'affiche sur le panneau d'affichage de la température et l'alarme de température retentit en continu après 15 minutes. Si l'une de ces situations se produit, veuillez consulter la section de dépannage pour obtenir de l'aide.

Décongélation

Les tiroirs du réfrigérateur sont conçus avec un système de dégivrage automatique. Cependant, sur des réglages plus froids, du givre peut s'accumuler. De plus, plus les conditions ambiantes sont humides, plus le givre peut s'accumuler. Gardez les tiroirs fermés autant que possible et évitez d'ouvrir les tiroirs inutilement pour minimiser l'accumulation de givre.

Si le givre empêche les tiroirs de se fermer correctement, vous devrez peut-être éteindre l'appareil jusqu'à ce que le givre fonde (peut-être jusqu'à 24 heures). Utilisez une serviette absorbante douce pour sécher l'appareil.

Bruits normaux

Votre refroidisseur de boissons peut émettre des bruits auxquels vous n'êtes pas habitués. La plupart des bruits sont normaux. Les surfaces dures comme les planchers ou les murs peuvent donner l'impression que les bruits sont plus forts qu'ils le sont en réalité. Veuillez trouver ci-dessous une liste de bruits auxquels vous n'êtes peut-être pas habitués ainsi que leur source.

- ▶ La circulation de liquide réfrigérant ou d'eau peut produire des cliquetis.
- ▶ Les éléments entreposés sur le refroidisseur de boissons peuvent également faire du bruit.
- ▶ Le compresseur à haut rendement peut émettre des vibrations ou un son aigu.
- ▶ L'écoulement de l'eau entre l'évaporateur et le réservoir peut produire des bruits d'éclaboussure.
- ▶ À la fin de chaque cycle, le mouvement du liquide réfrigérant dans votre refroidisseur de boissons peut émettre des gargouillis.
- ▶ Il est possible que vous entendiez le ventilateur pousser l'air dans le condensateur.

Nettoyage et entretien

Le nettoyage périodique et l'entretien adéquat de l'appareil assurent son efficacité, son rendement optimal et sa longévité.

Nettoyage de l'intérieur

1. Coupez l'alimentation de l'appareil.
2. Ouvrez les tiroirs et retirez le séparateur, le plateau et les tapis en silicone. Nettoyez le plateau et les tapis en silicone dans l'évier.
3. Avec un chiffon propre, essuyez l'intérieur de l'appareil.
4. Réinsérez les séparateurs, le plateau, les tapis en silicone et le contenu.
5. Rebranchez l'alimentation de l'unité.

Nettoyage extérieur

Les tiroirs et l'armoire peuvent être nettoyées avec un détergent doux et une solution d'eau tiède comme deux (2) cuillères à soupe de bicarbonate de soude pour un (1) litre d'eau. N'utilisez pas de nettoyeurs à base de solvants ou abrasifs. Utilisez une éponge douce et rincez à l'eau claire. Essuyez avec une serviette propre et douce pour éviter les taches d'eau. Si le panneau de tiroirs est en acier inoxydable, il peut se décolorer lorsqu'il est exposé au chlore et à l'humidité. Nettoyez l'acier inoxydable avec un chiffon imbibé d'un détergent doux et d'une solution d'eau tiède.

Entretien

Panne d'électricité

Most power failures are corrected within a few hours and should not affect the temperature of your appliance if you minimize the number of times the door is opened. If the power is going to be off for a longer period of time, you need to take the proper steps to protect your contents.

Déplacer les tiroirs de votre réfrigérateur

- ▶ Supprimez tous les éléments.
- ▶ Tournez le pied réglable à fond (dans le sens des aiguilles d'une montre) vers la base pour éviter tout dommage.
- ▶ Fermez les tiroirs avec du ruban adhésif.
- ▶ Assurez-vous que l'appareil reste bien en place en position verticale pendant le transport. Protégez également l'extérieur de l'appareil avec une couverture ou un article similaire.

Conseils d'économie d'énergie

- ▶ Vous devriez installer l'appareil à l'endroit le plus frais de la pièce, loin d'appareils produisant de la chaleur et à l'abri de la lumière directe du soleil.
- ▶ Assurez-vous que l'appareil est convenablement aéré. Ne couvrez jamais les événements.
- ▶ Ouvrez les tiroirs le moins longtemps possible.

Problème possible	Cause possible	Solutions
L'appareil ne fonctionne pas.	Pas branché.	Assurez-vous que l'appareil est branché et que la prise de courant est sous tension.
	L'appareil est éteint.	Allumez l'appareil.
	Le disjoncteur s'est déclenché ou a un fusible grillé.	Remplacez le fusible cassé ou réinitialisez le disjoncteur.
	Le mode sabbat peut être activé.	Consultez la section Fonctionnement de votre appareil et vérifiez si le mode Sabbat est désactivé.
L'appareil n'est pas assez froid.	Le réglage du contrôle de la température est trop élevé.	Réglez la température réglée.
	L'environnement externe peut nécessiter un paramètre plus élevé.	Gardez l'appareil à l'abri du soleil ou d'autres sources de chaleur.
	Les tiroirs est ouverte trop fréquemment ou pendant de longues périodes.	Fermez bien les tiroirs et n'ouvrez pas les tiroirs trop fréquemment ou pendant une longue période.
	Le joint de tiroirs n'est pas scellé correctement.	Assurez-vous que le joint de tiroirs n'est pas desserré.
	Le mode démonstration peut être activé.	Consultez la section Fonctionnement de votre appareil et vérifiez si le mode de démonstration est désactivé.
	Le refroidisseur n'a pas une ventilation suffisante.	Lisez et suivez les «Exigences de dégagement d'installation» dans la section Instructions d'installation.
	Le refroidisseur a limité le débit d'air en raison d'un stockage trop important.	Espace ouvert dans l'armoire pour permettre la circulation de l'air.
L'appareil s'allume et s'éteint fréquemment.	La température ambiante est plus chaude que la normale.	Faites fonctionner le réfrigérateur à la température ambiante appropriée.
	Le joint de tiroirs n'est pas scellé correctement.	Assurez-vous que le joint de tiroirs n'est pas desserré.
	Les tiroirs est ouverte trop fréquemment ou pendant de longues périodes.	Fermez bien les tiroirs et n'ouvrez pas les tiroirs trop fréquemment ou pendant une longue période.
	Les tiroirs n'est pas complètement fermée	Assurez-vous que la tiroirs est complètement fermée.
L'appareil s'allume et s'éteint fréquemment.	Le refroidisseur n'a pas une ventilation suffisante.	Lisez et suivez les «Exigences de dégagement d'installation» dans la section Instructions d'installation.

Dépannage

ZONE UNIQUE ET DOUBLE

Problème possible	Cause possible	Solutions
Le corps de l'appareil est électrisifié.	L'unité n'est pas correctement mise à la terre.	Contactez votre électricien local pour tester votre système de mise à la terre électrique.
Du givre se forme dans l'appareil.	L'environnement est humide.	Bien que l'appareil utilise un système de dégivrage automatique, il peut être nécessaire de procéder au dégivrage manuel dans certaines conditions. Si le givre s'accumule, vous pouvez essayer de régler votre réfrigérateur à une température plus chaude, minimiser le nombre de fois où vous ouvrez les tiroirs, ou débrancher l'appareil pour faire fondre le givre.
	La température ambiante est trop basse.	
	Les tiroirs est ouverte trop souvent.	
L'appareil fait trop de bruit.	La circulation de liquide réfrigérant peut produire des cliquetis, ce qui est normal. À la fin de chaque cycle, le mouvement du liquide réfrigérant dans votre refroidisseur de boissons peut émettre des gargouillis.	À la fin de chaque cycle, il est normal que le mouvement du liquide réfrigérant dans votre refroidisseur de boissons produise des gargouillis. Le compresseur à haut rendement peut émettre des vibrations ou un son aigu.
	La contraction et l'expansion des parois intérieures peuvent créer des bruits de craquement et d'éclatement.	Certains de ces bruits sont normaux. Ils sont causés par l'expansion et la contraction des parois intérieures en raison des changements de température.
	L'appareil n'est pas nivelé ou est en contact avec un autre électroménager.	Assurez-vous que le refroidisseur est de niveau et qu'il n'est pas en contact avec un autre électroménager ou avec un meuble.
Les tiroirs ne se ferme pas bien.	L'appareil n'est pas de niveau.	Assurez-vous que l'appareil se trouve sur une surface nivelée.
	Le joint d'étanchéité est sale.	Nettoyez le joint d'étanchéité de les tiroirs.
Les tiroirs ne se ferme pas bien.	Le joint d'étanchéité de les tiroirs n'est pas bien installé.	Assurez-vous que le joint d'étanchéité de les tiroirs est bien installé.
	Les étagères ne sont pas à la bonne position.	Installez les tablettes adéquatement.

Zephyr Ventilation, LLC (appelé aux présentes « nous ») garantit au premier acheteur (appelé aux présentes « vous ») des produits Zephyr (les « produits ») que ces produits sont exempts de défauts de matériau et de fabrication, comme suit :

Garantie limitée de cinq ans sur le compresseur : Pour une période de cinq ans à partir de la date d'achat originale des produits, nous fournirons sans frais les pièces de remplacement du compresseur qui ont cessé de fonctionner en raison d'un défaut de fabrication, sous réserve des exclusions et limites énumérées ci-dessous. Nous pouvons choisir, à notre discrétion exclusive, de réparer ou de remplacer les pièces avant de décider de remplacer les produits.

Garantie limitée de deux ans sur les pièces : Pour une période de deux ans à partir de la date d'achat originale des produits, nous fournirons sans frais les produits ou les pièces de remplacement (hormis les ampoules DEL, s'il y a lieu) qui ont cessé de fonctionner en raison d'un défaut de fabrication, sous réserve des exclusions et limites énumérées ci-dessous. Nous pouvons choisir, à notre discrétion exclusive, de réparer ou de remplacer les pièces avant de décider de remplacer les produits.

Garantie limitée de deux sur la main-d'œuvre : Pour une période de deux ans à partir de la date d'achat originale des produits, nous fournirons sans frais la main-d'œuvre requise pour procéder à la réparation des produits ou des pièces qui ont cessé de fonctionner en raison d'un défaut de fabrication, sous réserve des exclusions et limites énumérées ci-dessous. Un an après la date d'achat original, vous êtes responsable de tous les frais de main-d'œuvre associés à la présente garantie.

Pour obtenir du service en vertu de la garantie limitée : Pour être admissible au service de garantie, vous devez (a) nous aviser à l'adresse (www.zephyronline.com/contact) dans les soixante jours qui suivent la découverte du défaut; (b) nous fournir le numéro de modèle et le numéro de série; (c) décrire la nature de tout défaut du produit ou de la pièce. Au moment de présenter la demande de service de garantie, vous devez fournir une preuve d'achat ainsi qu'une preuve de la date d'achat originale. Si nous déterminons que l'une ou l'autre des exclusions de garantie énumérées ci-dessus s'applique à votre cas ou si vous ne nous fournissez pas les documents nécessaires pour obtenir du service, vous serez responsable de tous les frais associés à l'expédition, au déplacement et à la main-d'œuvre, ainsi que tous les autres frais liés aux services obtenus. La présente garantie ne se prolonge pas et ne recommence pas lors d'une réparation ou d'un remplacement couvert par la garantie.

Exclusions de la garantie : Cette garantie ne couvre que la réparation ou le remplacement, à notre discrétion, des pièces ou produits défectueux. Elle ne couvre aucun autre coût lié aux produits, y compris, sans s'y limiter, ce qui suit : (a) services d'entretien et de réparation normaux requis pour les produits et les pièces non durables, comme des filtres, des ampoules et des fusibles; (b) dommage à un produit ou à une pièce qui a été endommagé lors de l'expédition ou en raison d'un mauvais usage, de négligence, d'un accident, d'une installation fautive ou contraire aux instructions, de travaux d'entretien inadéquats ou d'une réparation inadéquate (autre que par nous); (c) utilisation commerciale ou gouvernementale des produits, utilisation allant à l'encontre de l'usage prévu; (d) usure naturelle du fini ou usure causée par un entretien inadéquat, utilisation de produits nettoyants abrasifs ou corrosifs, de tampons nettoyeurs et de produits à nettoyer les fours; (e) éclats, bosselures ou craquelures causés par une mauvaise utilisation des produits; déplacements à votre domicile pour vous montrer comment utiliser les produits; dommages aux produits causés par un accident, un incendie, une inondation, une catastrophe naturelle; (h) installation personnalisée ou modification ayant une incidence sur l'état de fonctionnement des produits; (i) dommages à des biens personnels ou altération d'aliments en raison de l'utilisation des produits. Si vous vous trouvez à l'extérieur de la région que nous desservons, des coûts supplémentaires pourraient s'appliquer à l'expédition de pièces pour une réparation sous garantie à l'un de nos points de service désignés et au déplacement d'un technicien de service à votre domicile pour réparer, désinstaller ou réinstaller les produits. Un an après la date d'achat original, vous êtes également responsable de tous les frais de main-d'œuvre associés à la présente garantie. Tous les produits doivent être installés par un installateur professionnel qualifié pour pouvoir recevoir des services d'entretien ou de réparation sous garantie.

Limites de la garantie : NOTRE OBLIGATION DE RÉPARER OU DE REMPLACER LES PRODUITS, À NOTRE DISCRÉTION, CONSTITUE VOTRE RECOURS UNIQUE ET EXCLUSIF EN VERTU DE LA PRÉSENTE GARANTIE. NOUS NE POURRONS EN AUCUN CAS ÊTRE TENUS RESPONSABLES DE TOUT DOMMAGE INDIRECT, CONSÉCUTIF OU PARTICULIER ATTRIBUABLE OU LIÉ À L'UTILISATION OU AU RENDMENT DES PRODUITS. LES GARANTIES EXPRESSES DE LA SECTION ANTERIEURE SONT EXCLUSIVES ET REMPLACENT TOUTES LES AUTRES GARANTIES EXPRESSES. NOUS REJETONS ET EXCLUONS AUX PRÉSENTES TOUTES LES AUTRES GARANTIES EXPRESSES COUVRANT LES PRODUITS AINSI QUETOUTES LES GARANTIES IMPLICITES EN VERTU DE LA LOI, Y COMPRIS CELLES RELATIVES À LA QUALITÉ MARCHANDE ET À L'ADÉQUATION À UN USAGE PARTICULIER. Dans les états ou provinces ne permettant pas une limite de la durée d'une garantie implicite, ou une exclusion ou limite des dommages indirects ou consécutifs, les limites et exclusions mentionnées ci-dessus ne s'appliquent pas. Dans la mesure où les lois en vigueur interdisent l'exclusion de garanties implicites, la durée de toute garantie implicite pertinente se limite aux mêmes périodes d'un an et de deux ans décrites ci-dessus, si les lois en vigueur le permettent. Toute description orale ou écrite des produits ne sert qu'à identifier les produits et ne peut être considérée comme une garantie expresse. Avant d'utiliser, de mettre en marche ou de permettre l'utilisation des produits, vous devez déterminer la pertinence des produits pour leur usage prévu, et vous devez assumer tous les risques et toutes les responsabilités liés d'une manière ou d'une autre à cette décision. Nous nous réservons le droit d'utiliser des pièces ou produits réparés ou remis en état dont le fonctionnement est équivalent aux pièces originales lorsque nous effectuons un remplacement ou une réparation sous la garantie. Le premier acheteur ne peut transférer cette garantie, qui n'est valide que dans le domicile du consommateur où le produit a été installé à l'origine, aux États-Unis ou au Canada. Cette garantie ne peut être transférée à un revendeur.

Veillez consulter notre site Web pour obtenir de plus amples renseignements sur nos produits à www.zephyronline.com.

AUG23.0401

Enregistrement du produit

N'oubliez pas d'enregistrer votre réfrigérateur Zephyr Presrv™

Félicitations pour votre achat de Presrv ! Veuillez prendre quelques instants pour enregistrer votre nouveau réfrigérateur.

C'EST IMPORTANT

L'enregistrement de votre produit aide à bien des égards

- Il assure la couverture de votre garantie si vous avez besoin de service après-vente.
- À des fins d'assurance, il permet de confirmer que vous êtes le propriétaire.
- Il vous permet de recevoir des avis concernant des modifications ou des rappels de produits.

Que diriez-vous d'un avis?

Pendant que vous y êtes, laissez un commentaire et dites-nous à quel point vous aimez votre nouveau réfrigérateur.



Enregistrer
zephyronline.com/registration



Passer en revue
qrs.ly/c7ea9sj

Recherchez votre numéro de modèle Presrv dans la barre de navigation supérieure

ZEPHYR

zephyronline.com | 2277 Harbor Bay Pkwy. | Alameda, CA 94520